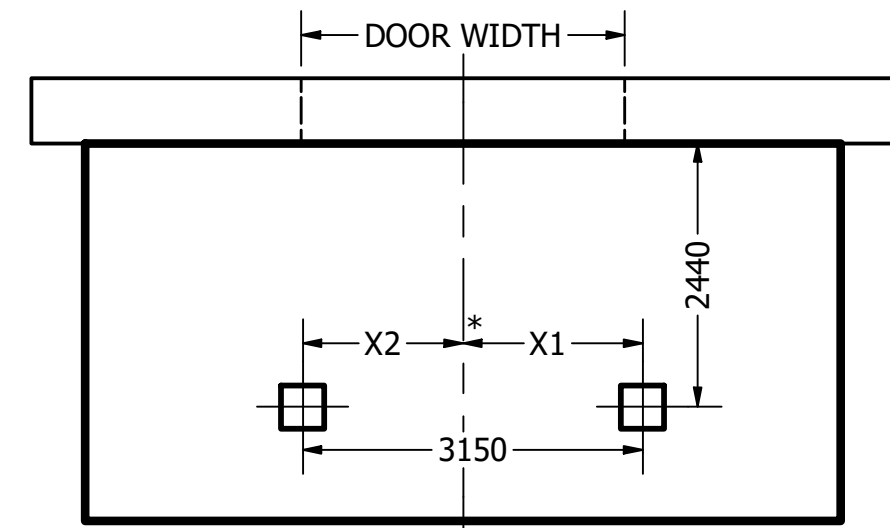
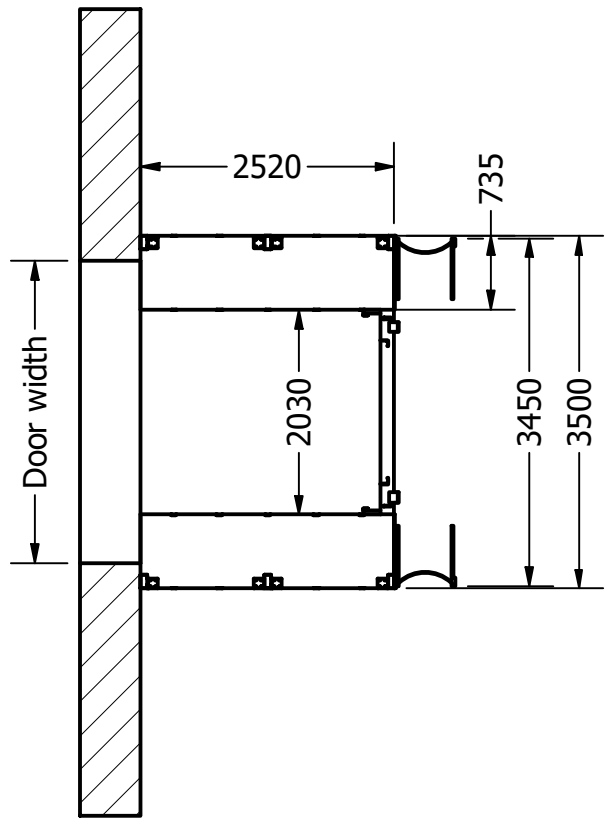
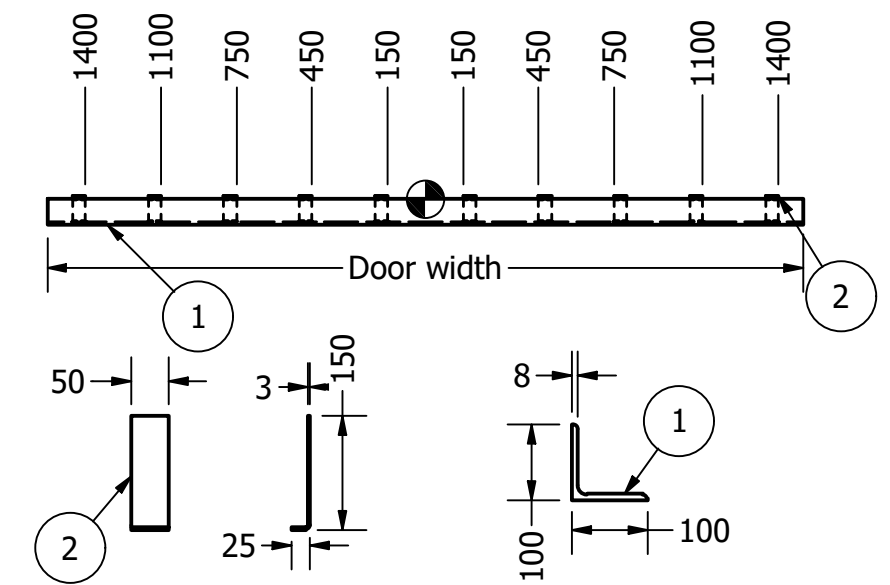
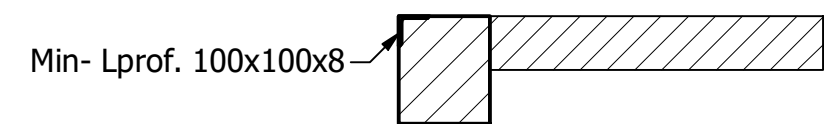


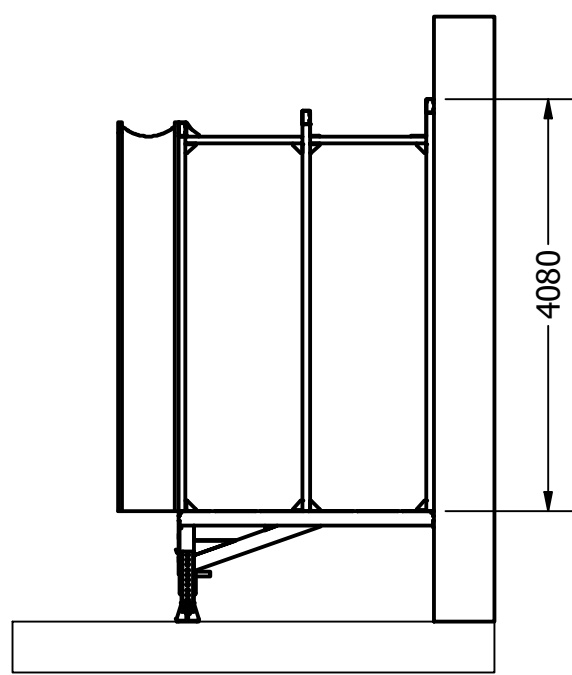
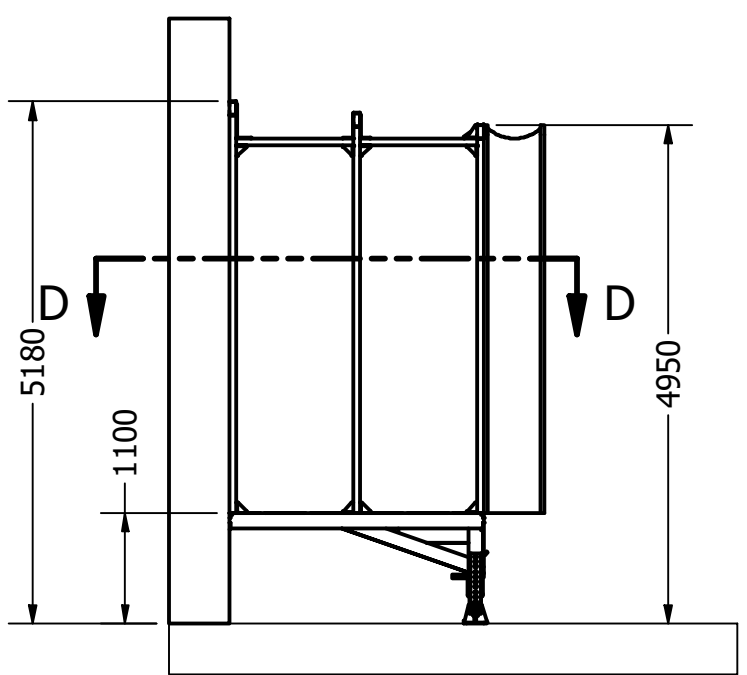
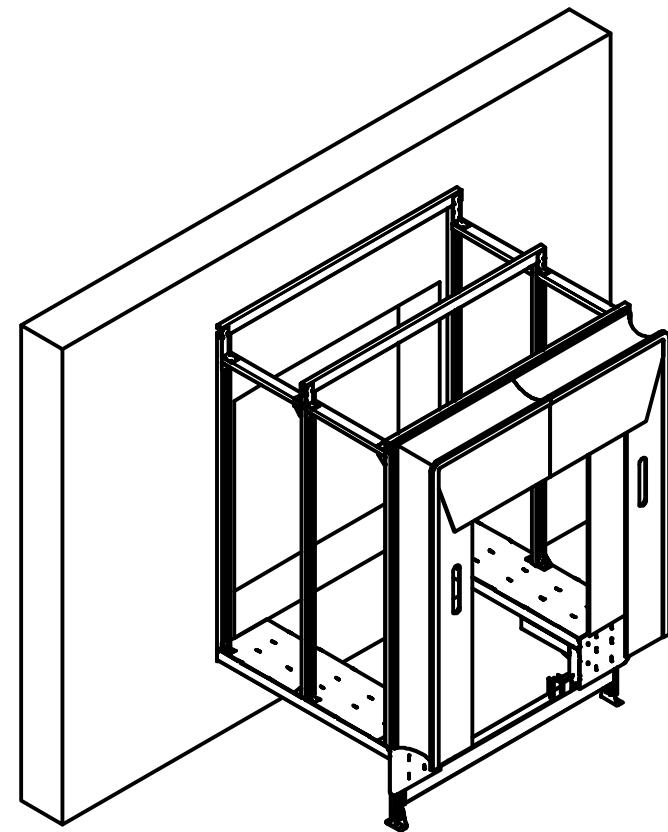
Foundation plan

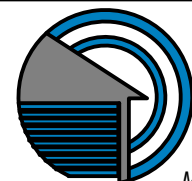


* both sides same distance from gate center



SECTION D-D
SCALE 1 / 75





Riga Door Systems
we open the world

Malas, Vetras, Marupe LV-2167, Riga district, Latvia; web: www.rigadoors.lv

Weight		N/A
Material		

Rev.	Changes	Date	Name	Project	Date	Name	Description	
					2024-04-26	VPA	DOCK HOUSE 90	
							Drawing Nr.	DHH.90.4950
							Rev.	R1
							Scale	A3

Scale: **DO NOT SCALE**