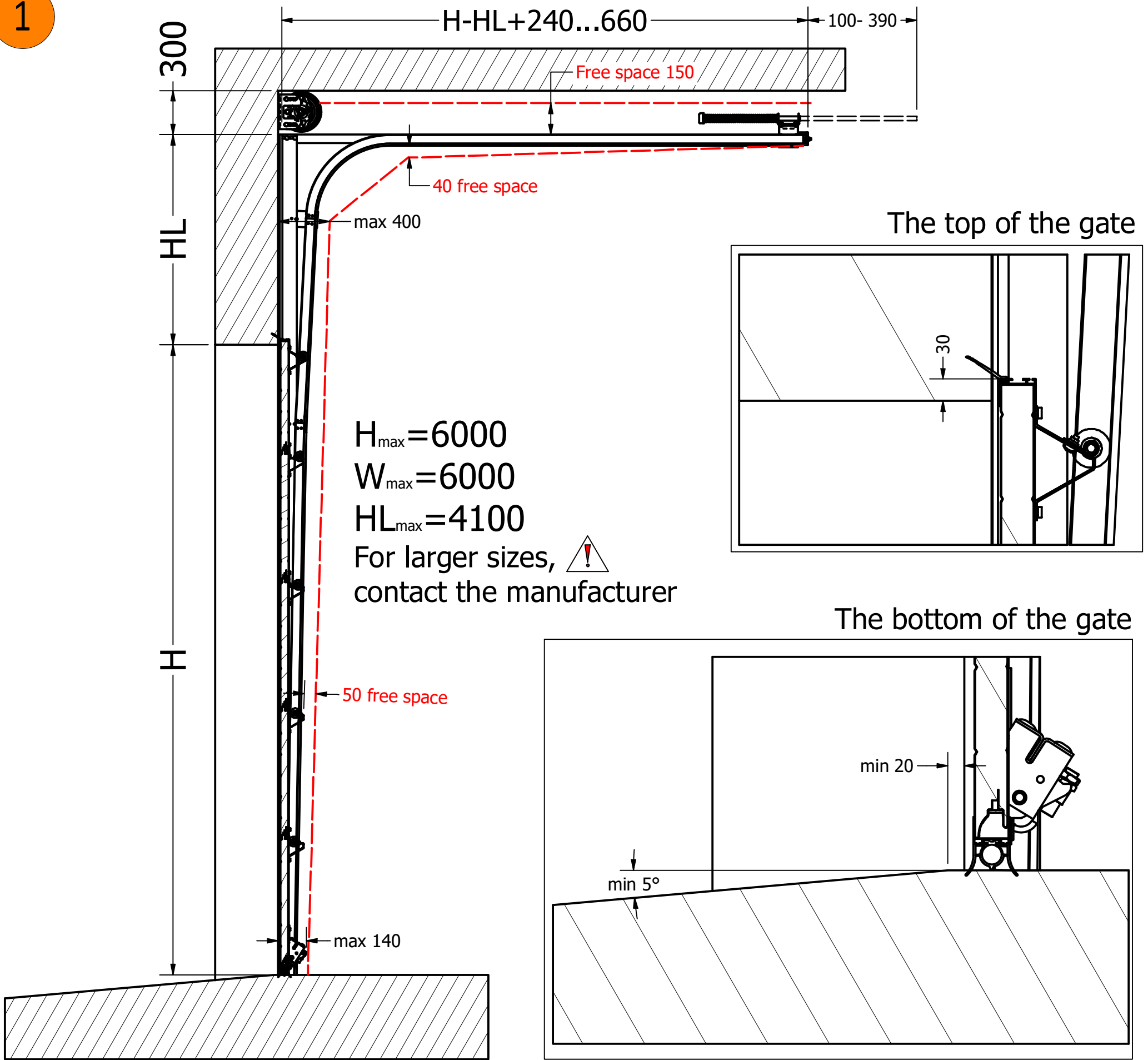
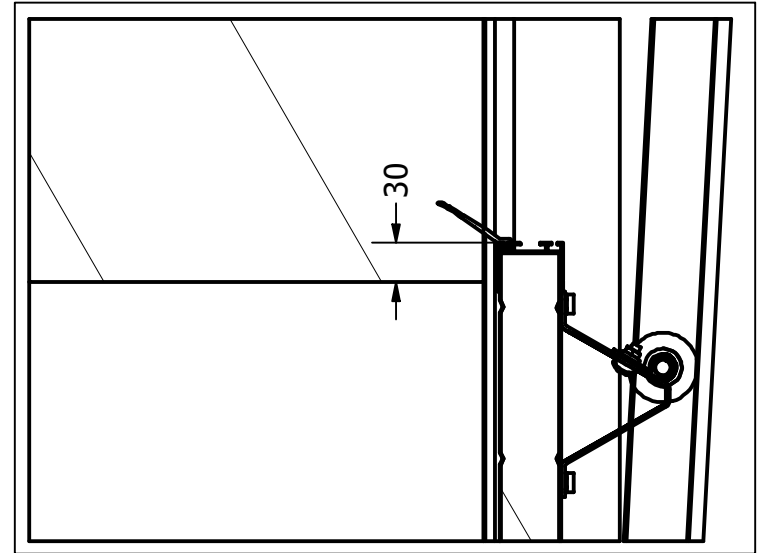


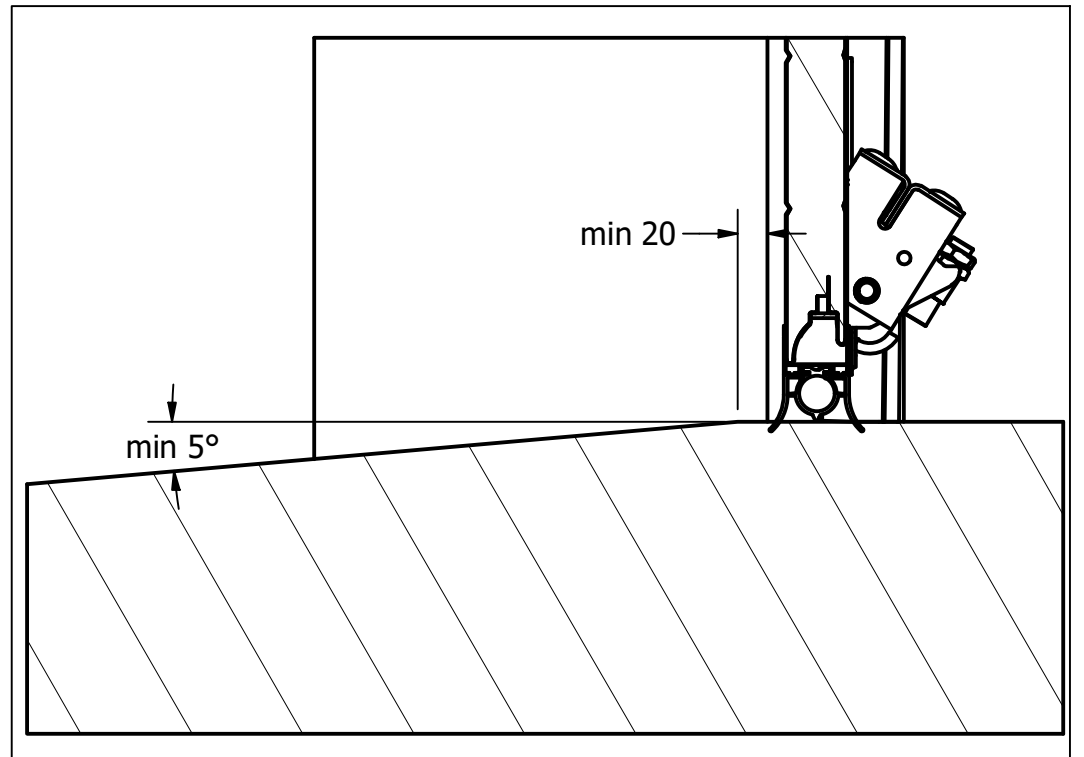
1



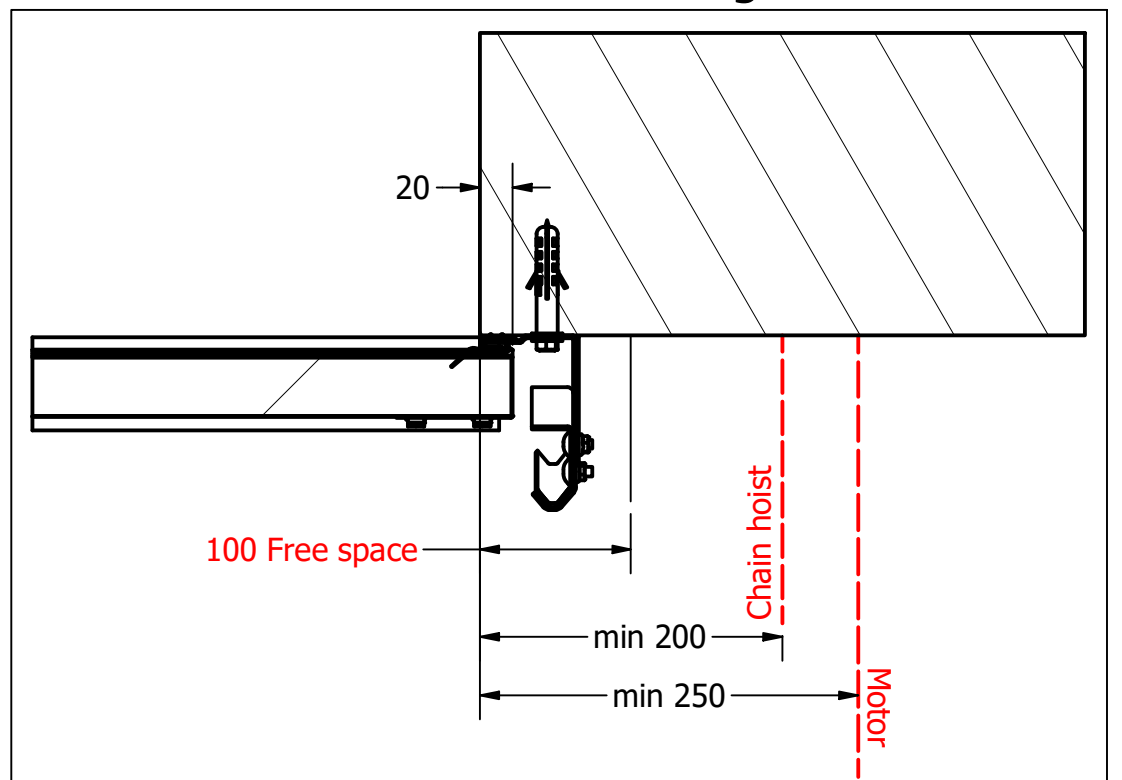
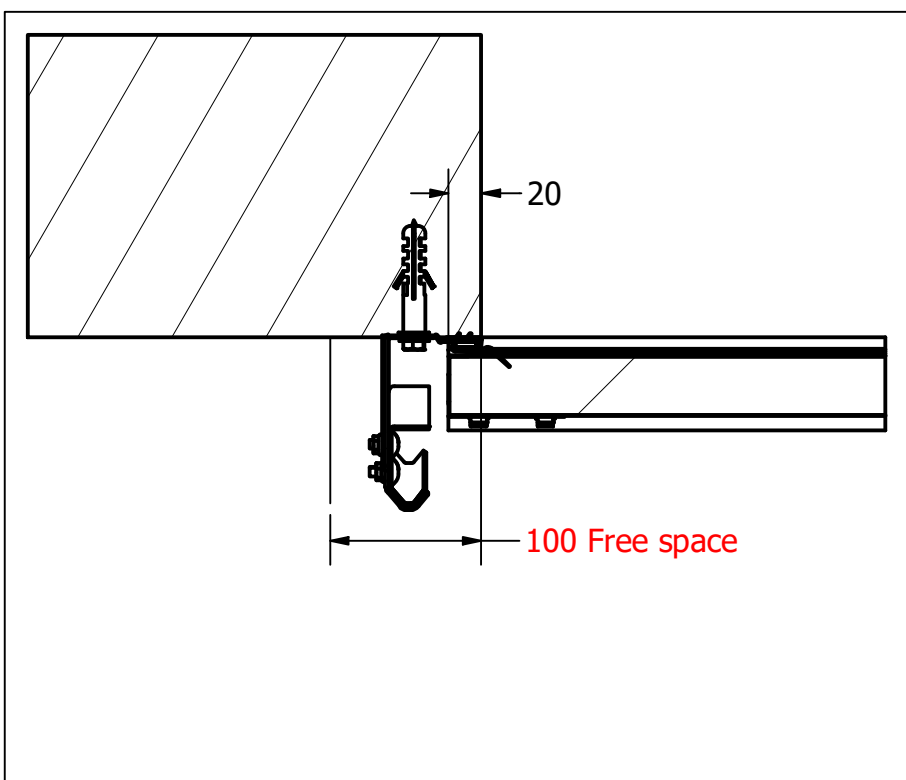
The top of the gate



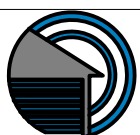
The bottom of the gate



Sealing at the column



For gates without motor and  $H \geq 3m$  chainhoist must be mounted !



**Riga Door Systems**  
we open the world

Malas, Vetras, Marupe LV-2167, Riga district, Latvia; web: [www.rigadoors.lv](http://www.rigadoors.lv)

Designed by VPA Sheet Format A3 Date 2024-04-26

HL\_High lift

Data sheet

Industrial sectional doors RDS1000

Rev. 1 Sheet 1 / 1