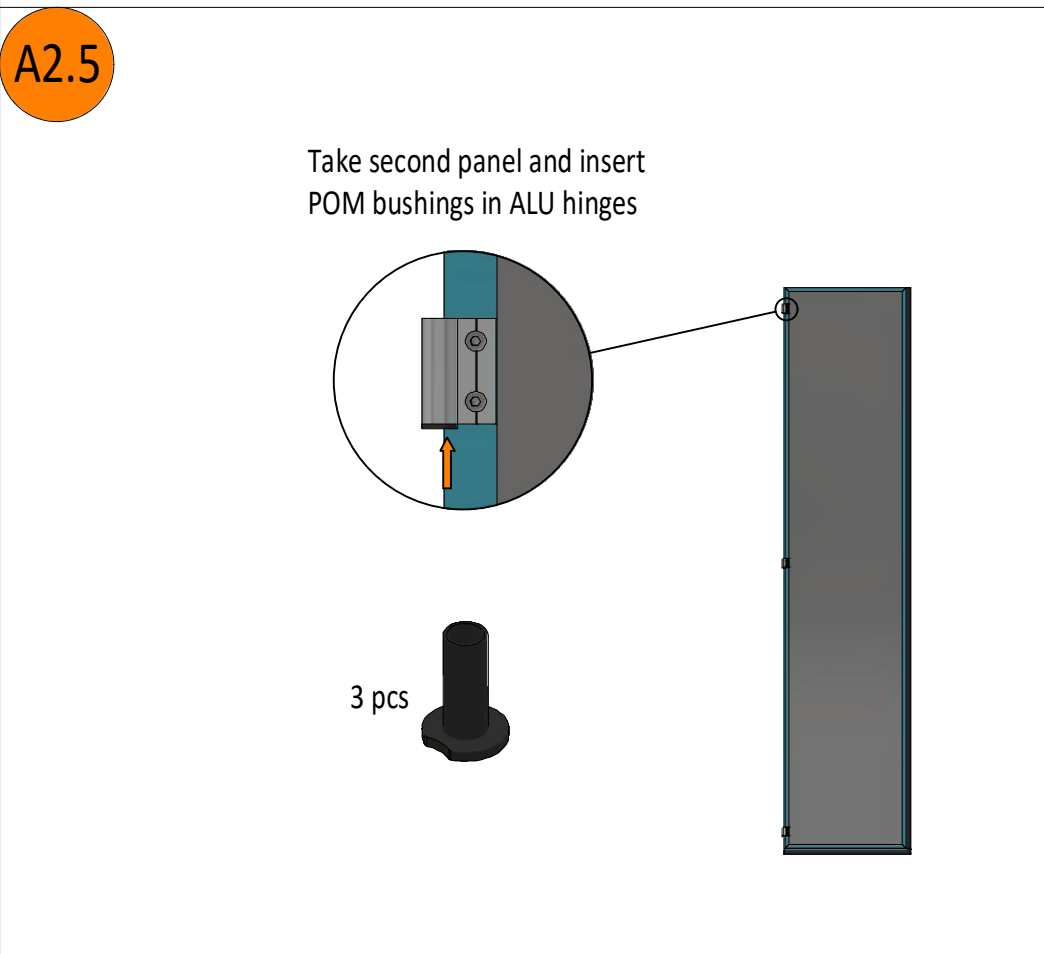
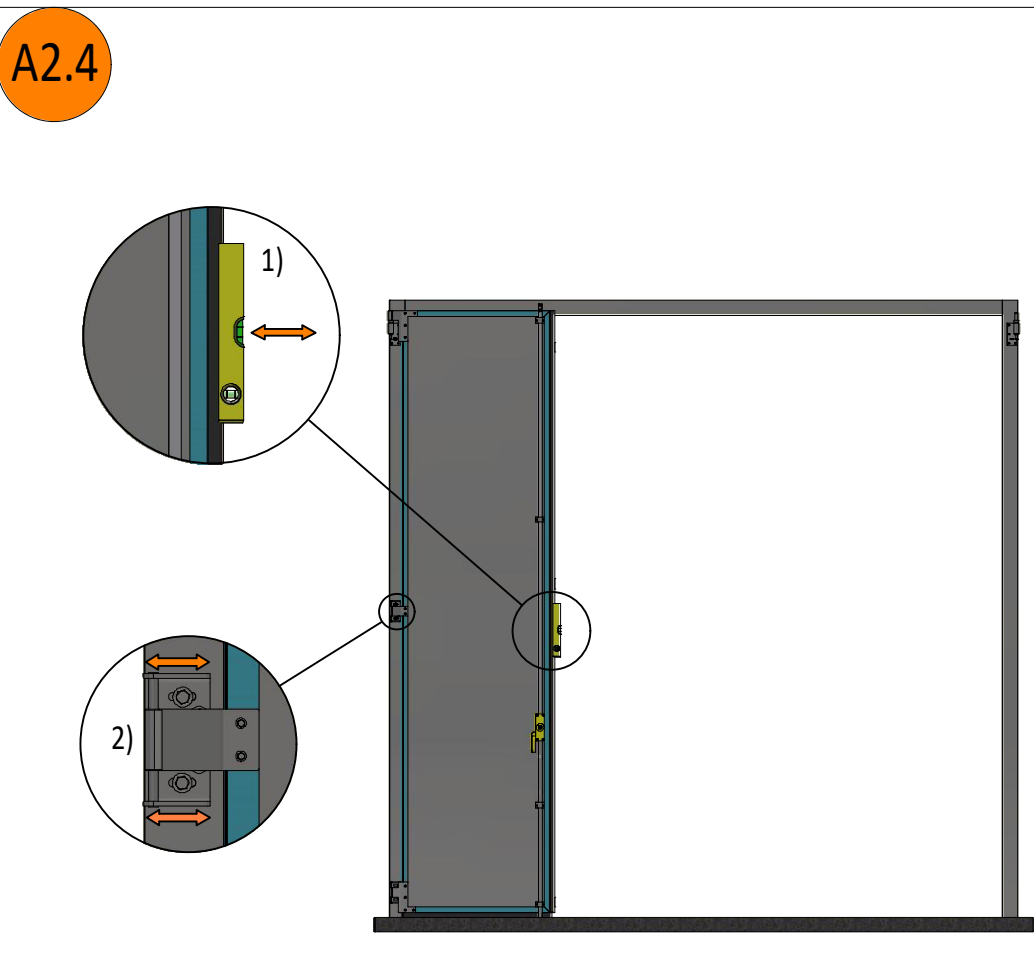
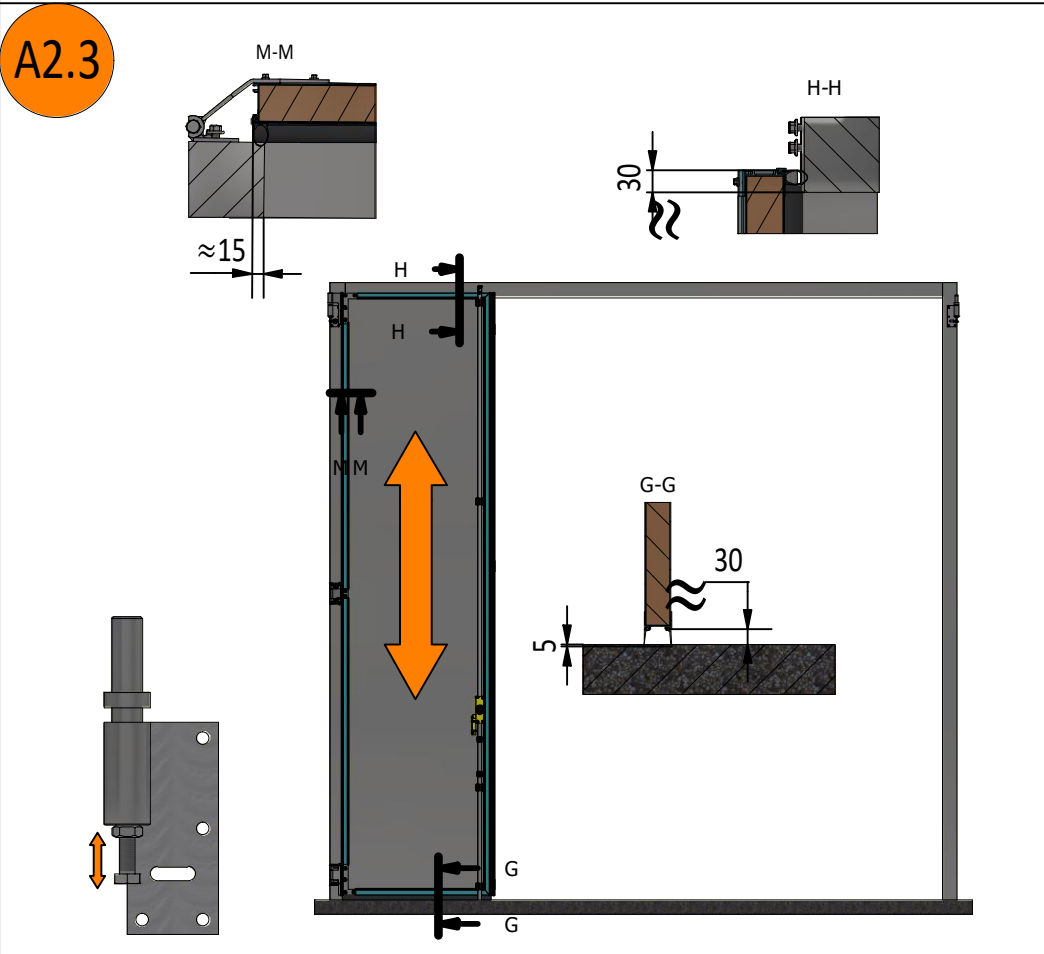
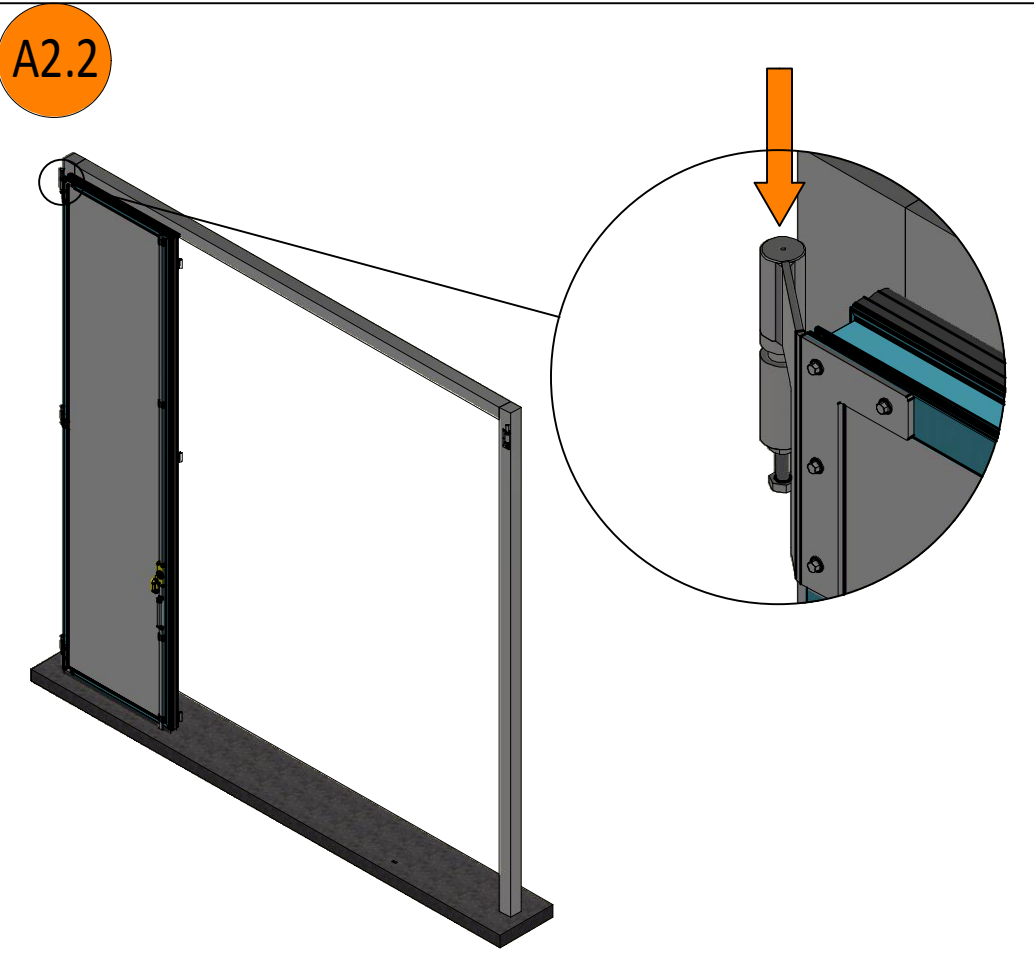
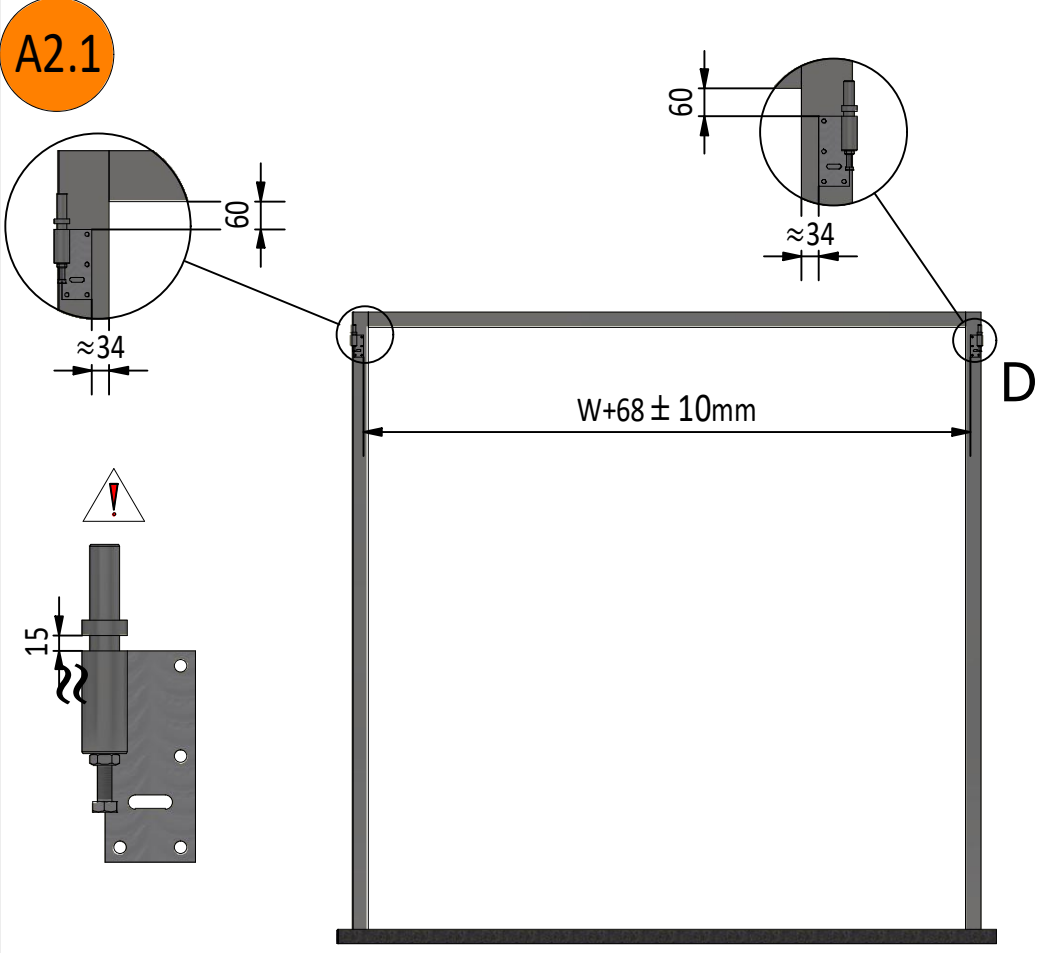
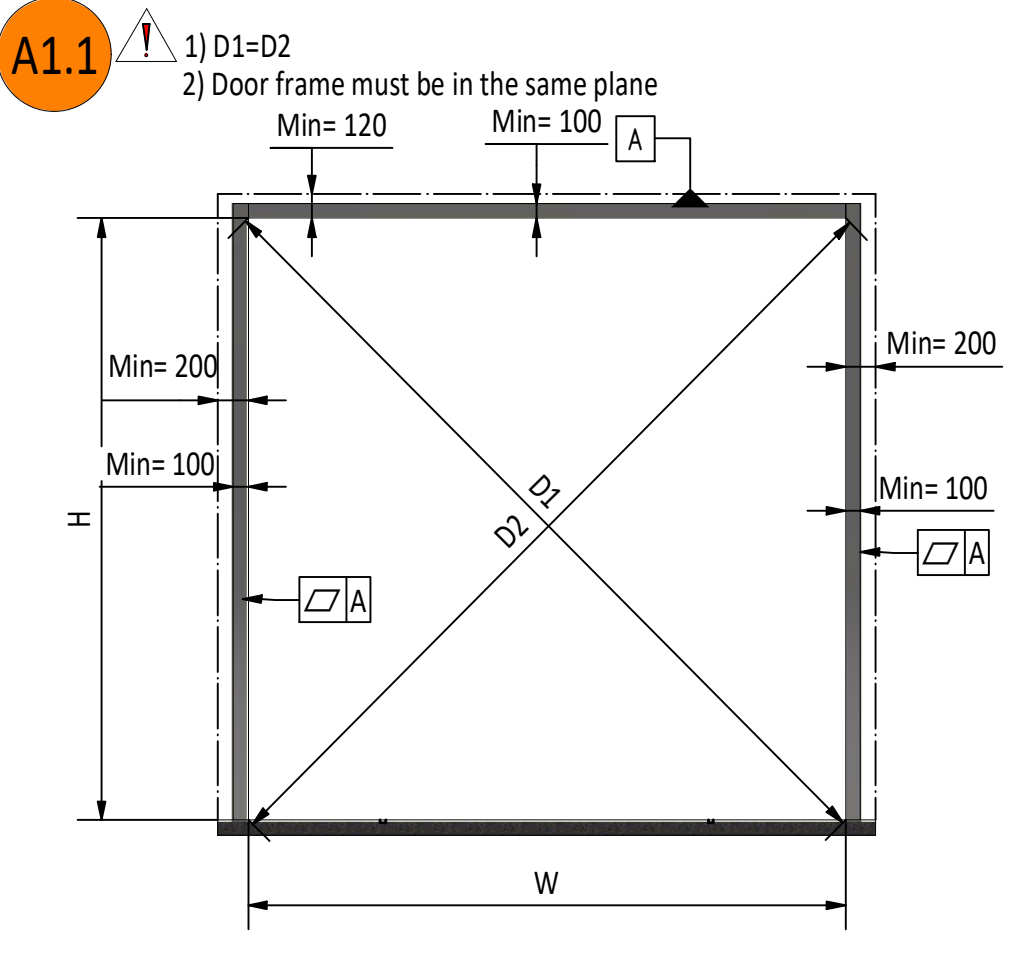




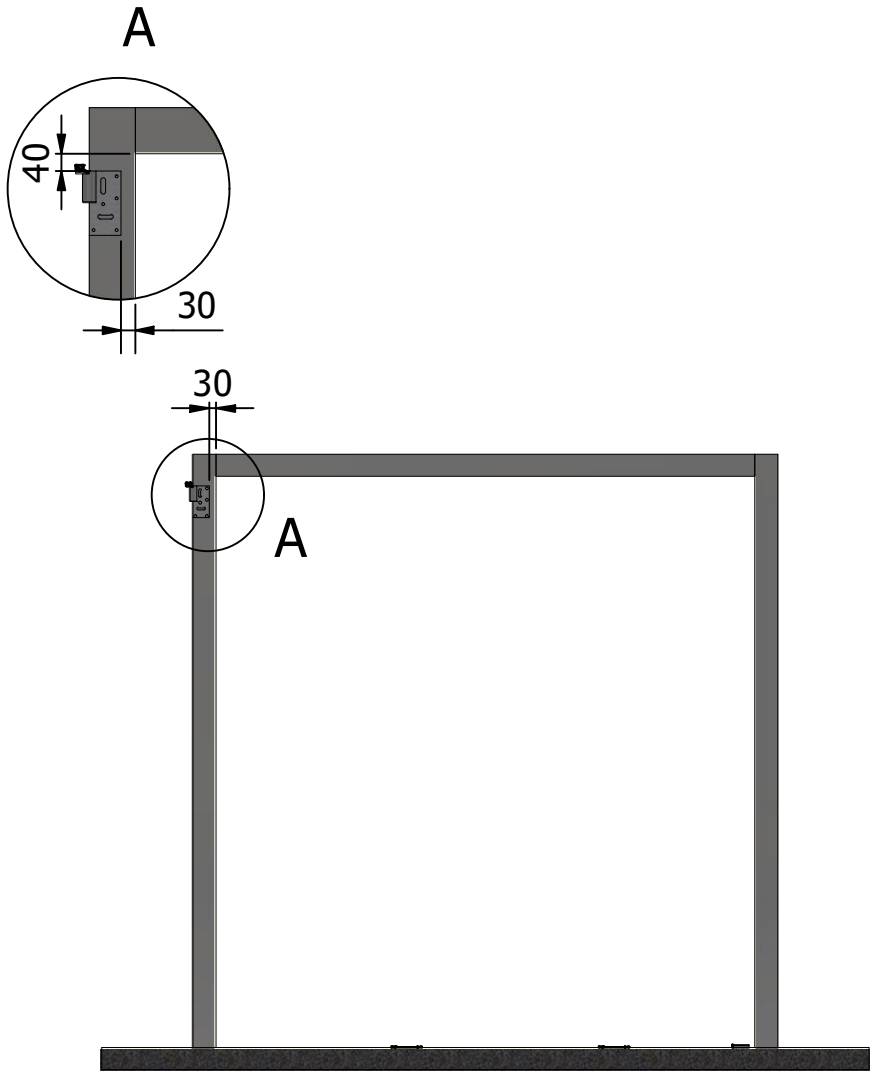
Date	2023-12-20	Sheet Format	A3	Mounting instruction_RD	Designer	VPA		
				Folding Doors 4 panels	Rev.	05	Sheet	1 / 7



Date	2023-12-20	Sheet Format	A3	Mounting instruction_RD	Designer	VPA
				Folding Doors 4 panels	Rev.	05
					Sheet	2 / 7

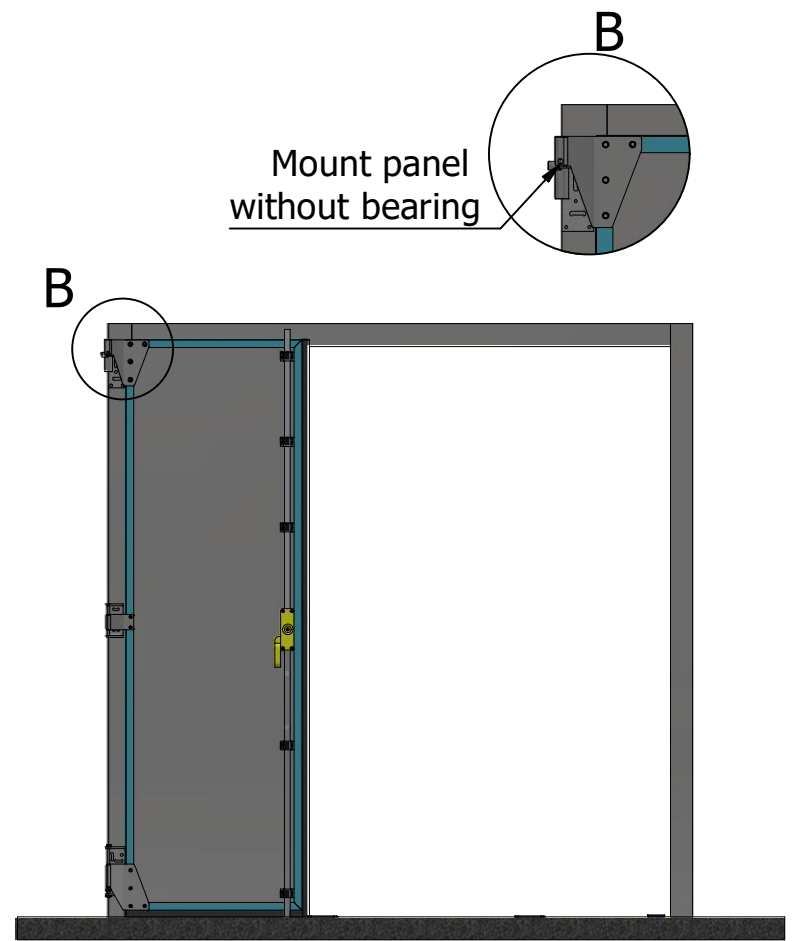
A3.1

Additional information only for folding doors with rising hinges



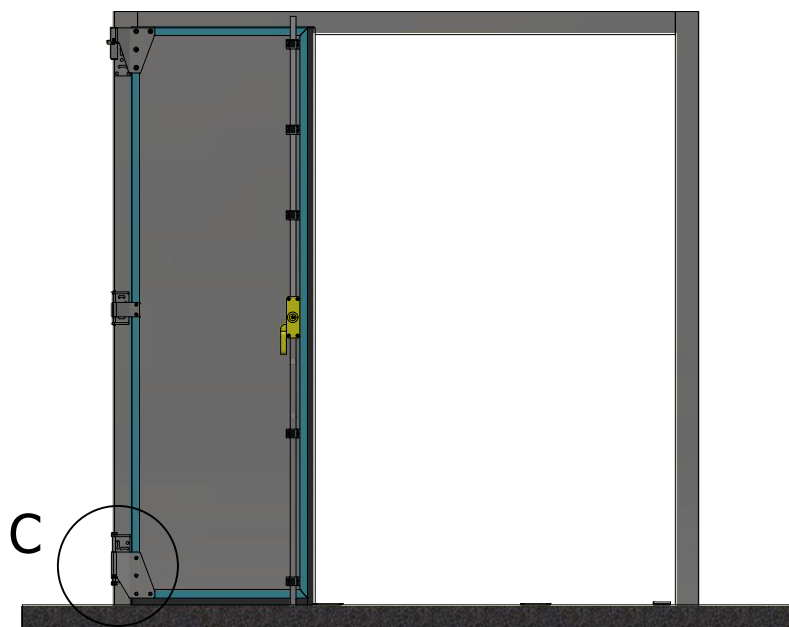
A3.2

Additional information only for folding doors with rising hinges

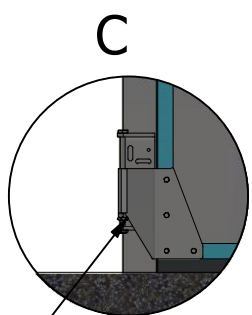


A3.3

Additional information only for folding doors with rising hinges

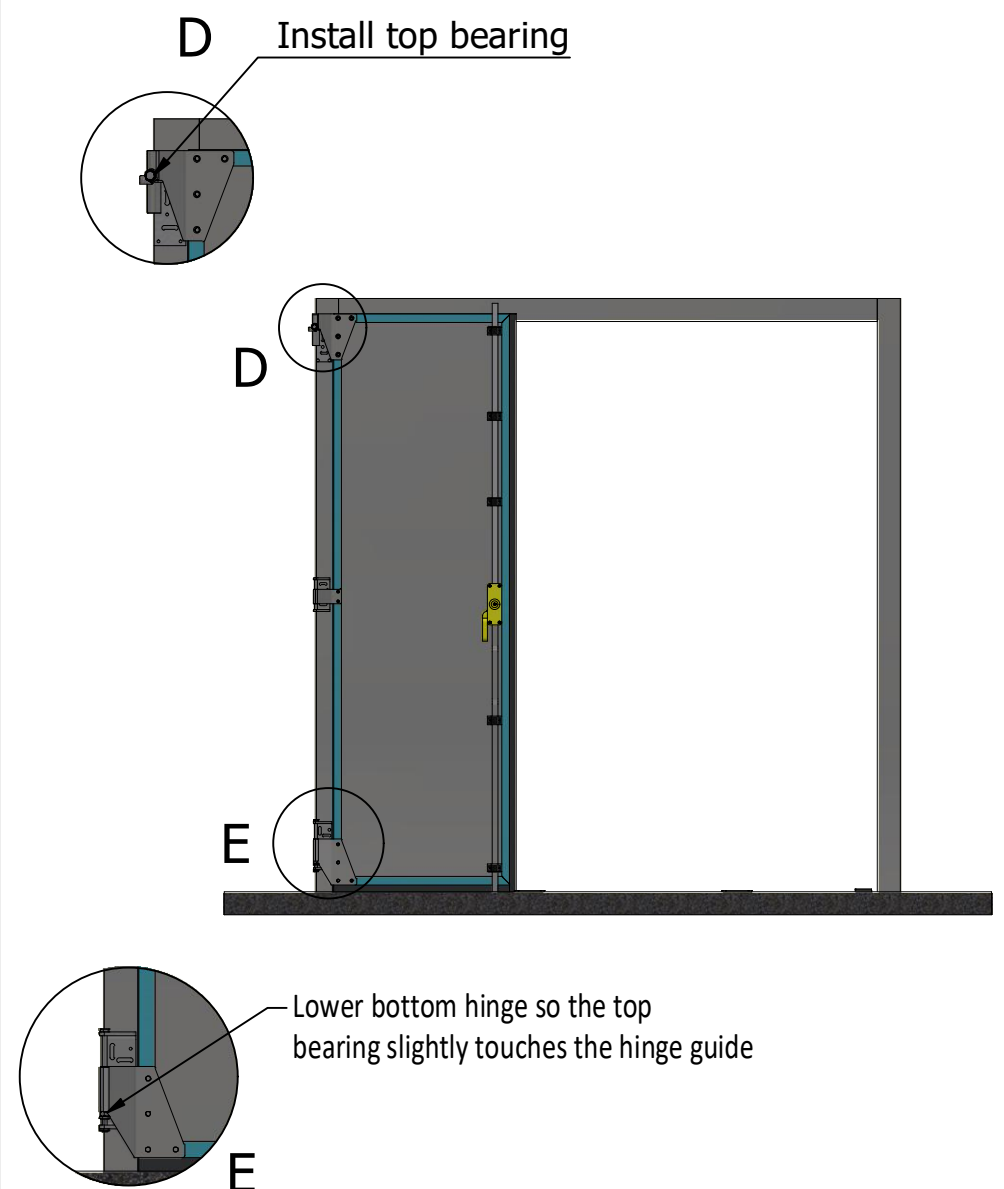


After panel is leveled and mounted to wall lift it a little bit up so you can mount top hing bearing free



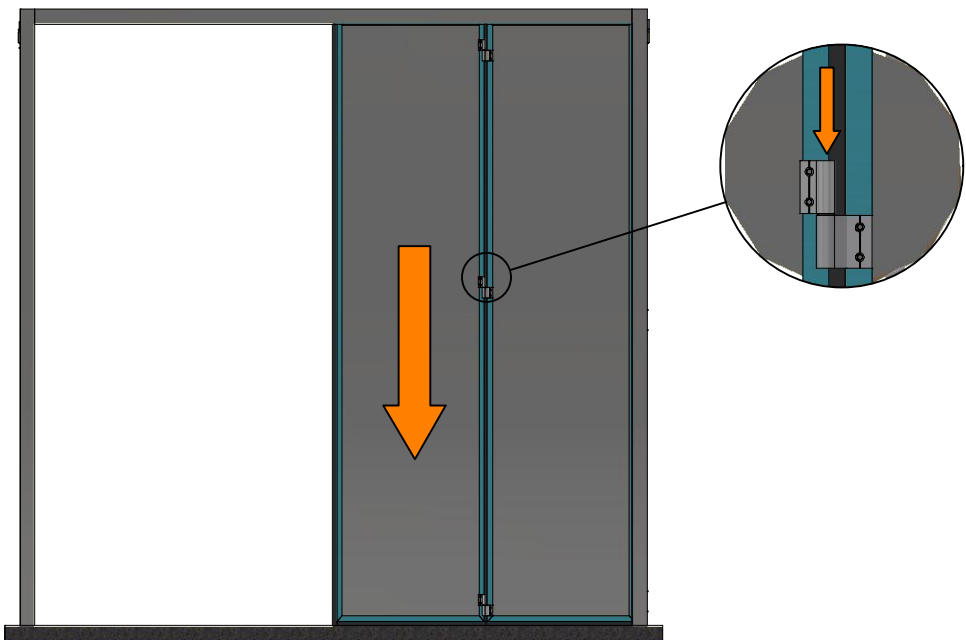
A3.4

Additional information only for folding doors with rising hinges

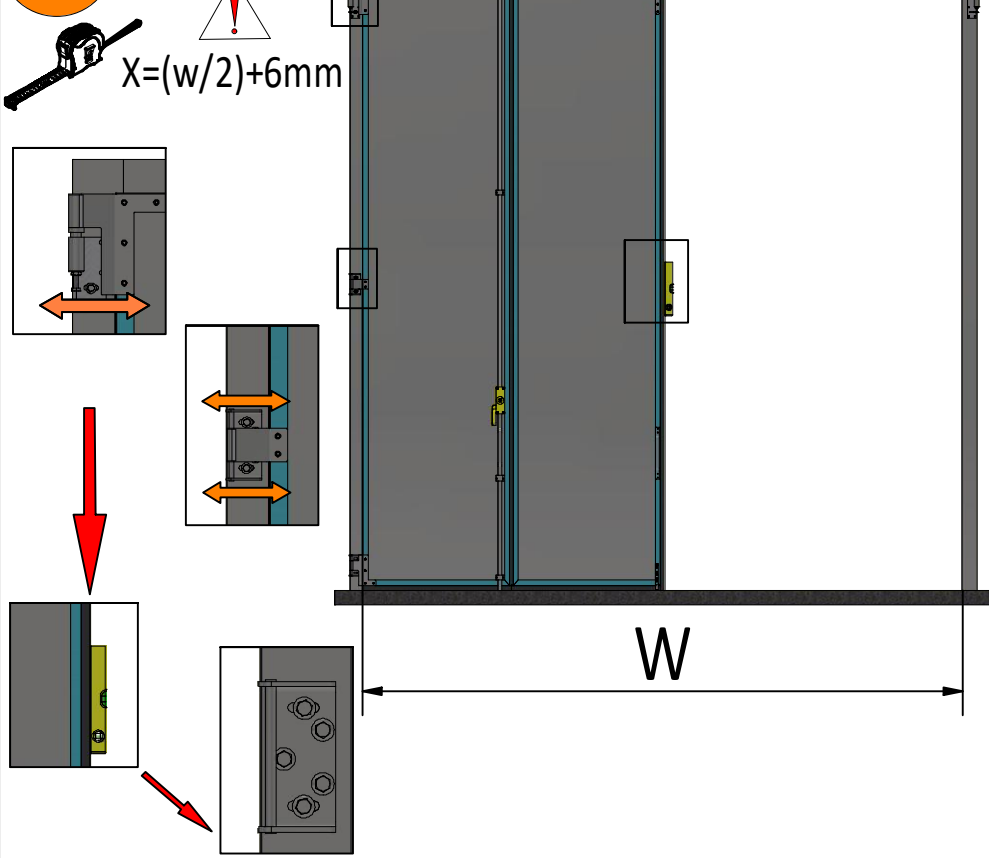


Date	2023-12-20	Sheet Format	A3	Mounting instruction_RD	Designer	VPA
				Folding Doors 4 panels	Rev.	05
					Sheet	3 / 7

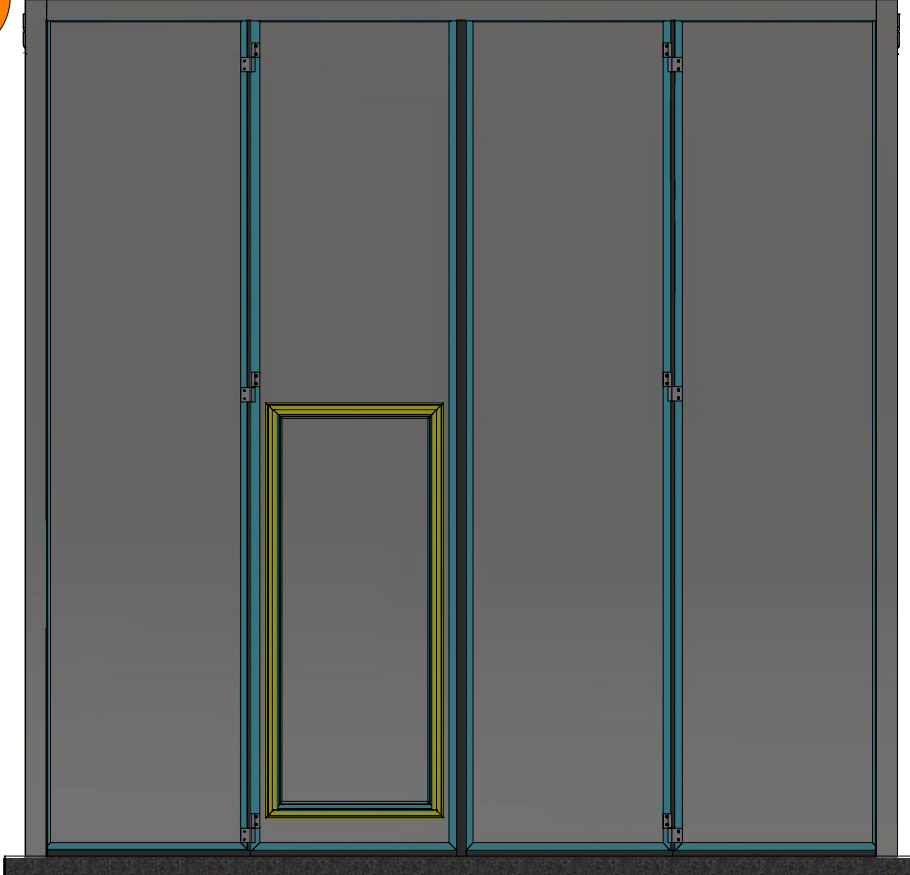
A2.6



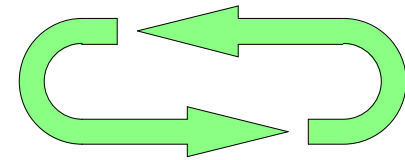
A2.7



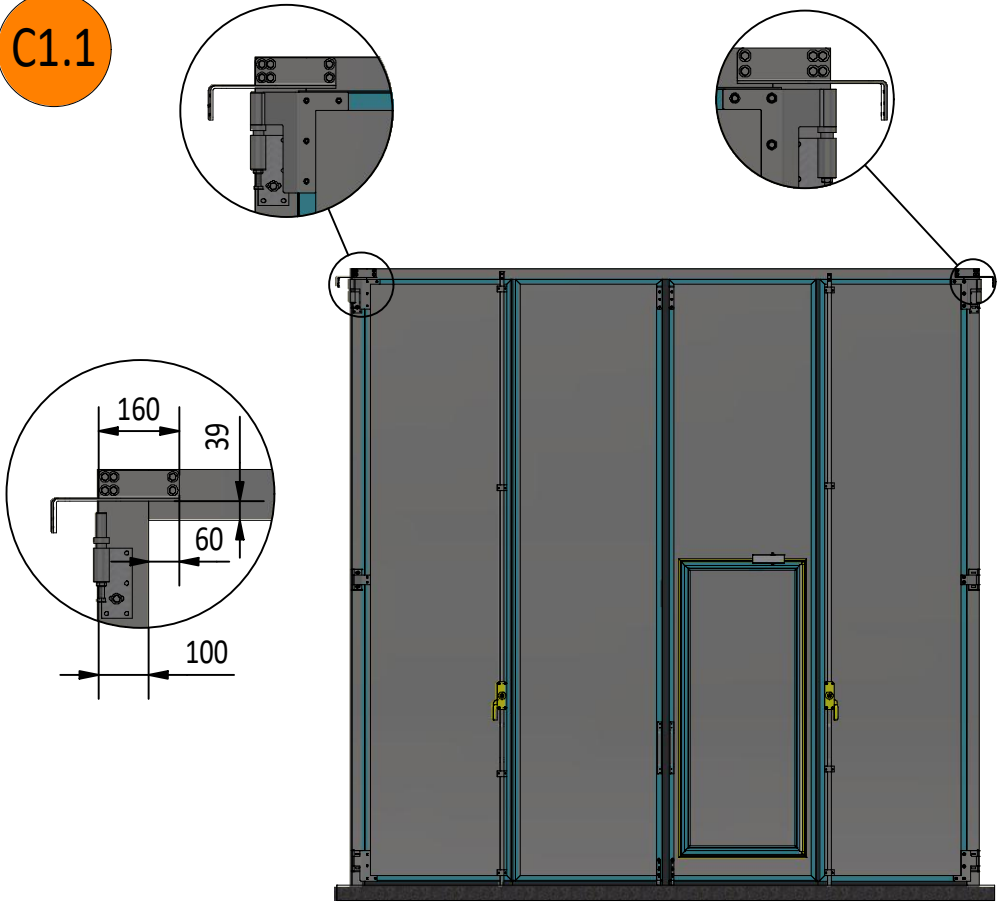
B1.1



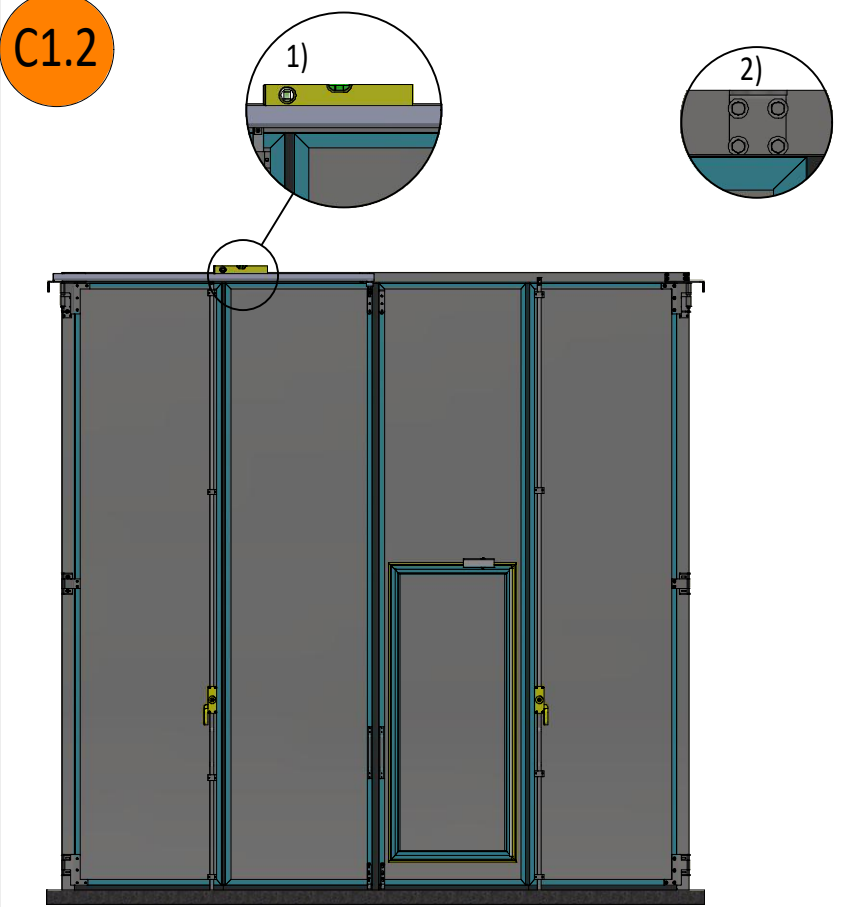
Repeat steps from A2.1-A2.7 for Mirror side



C1.1

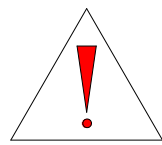


C1.2

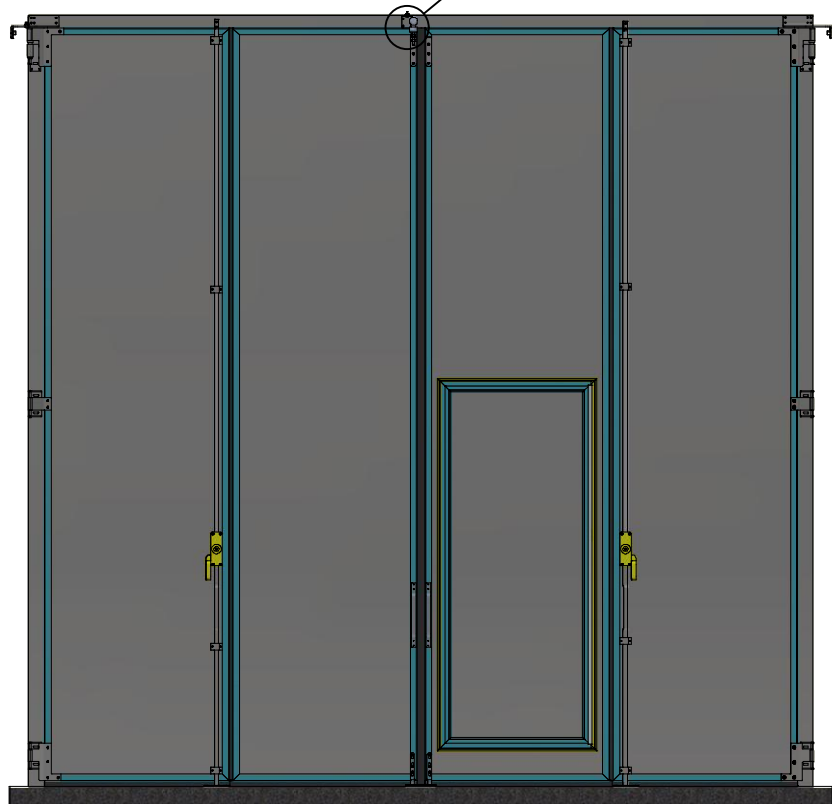
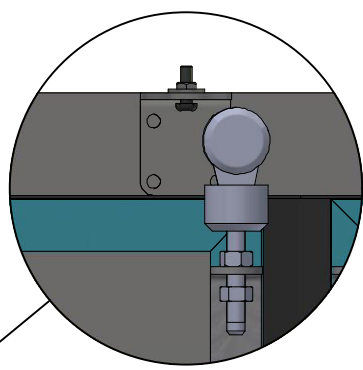


Date	2023-12-20	Sheet Format	A3	Mounting instruction_RD	Designer	VPA
				Folding Doors 4 panels	Rev.	05
					Sheet	4 / 7

C2.1

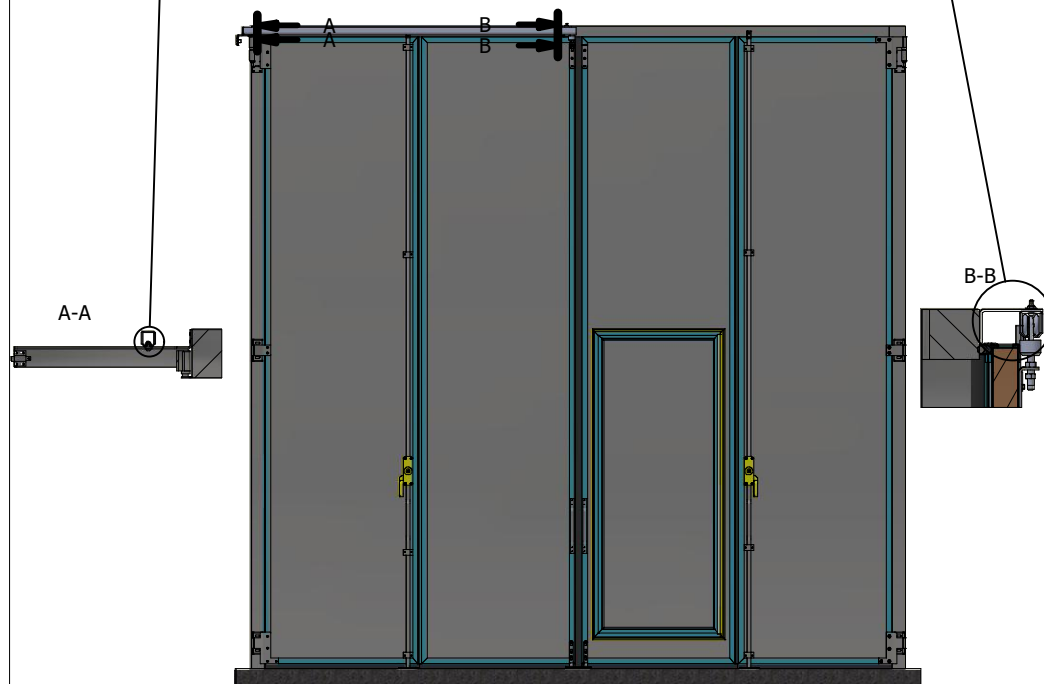
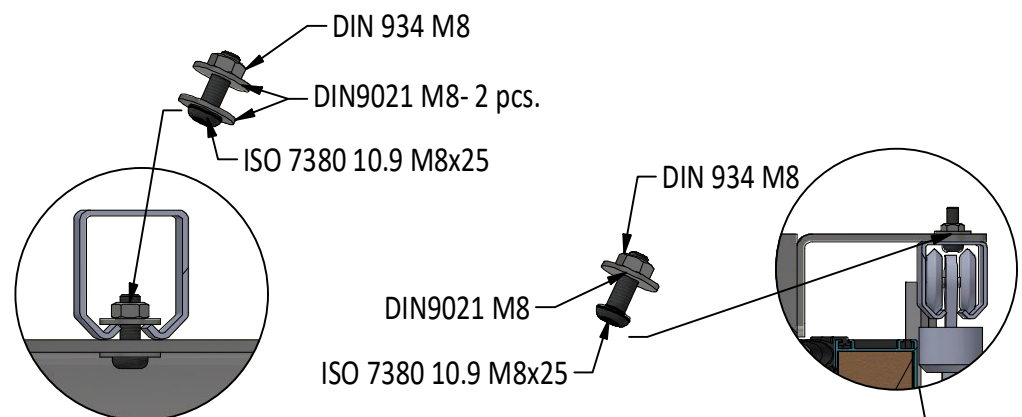


OPTION1

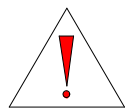


C2.2

DO NOT TIGHTEN BOLTS

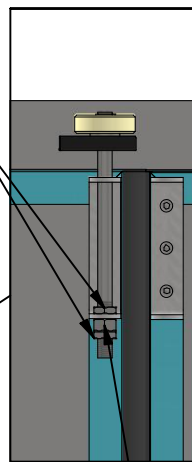


C3.1



OPTION2

DIN439 M16

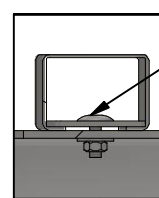


DIN934 M16

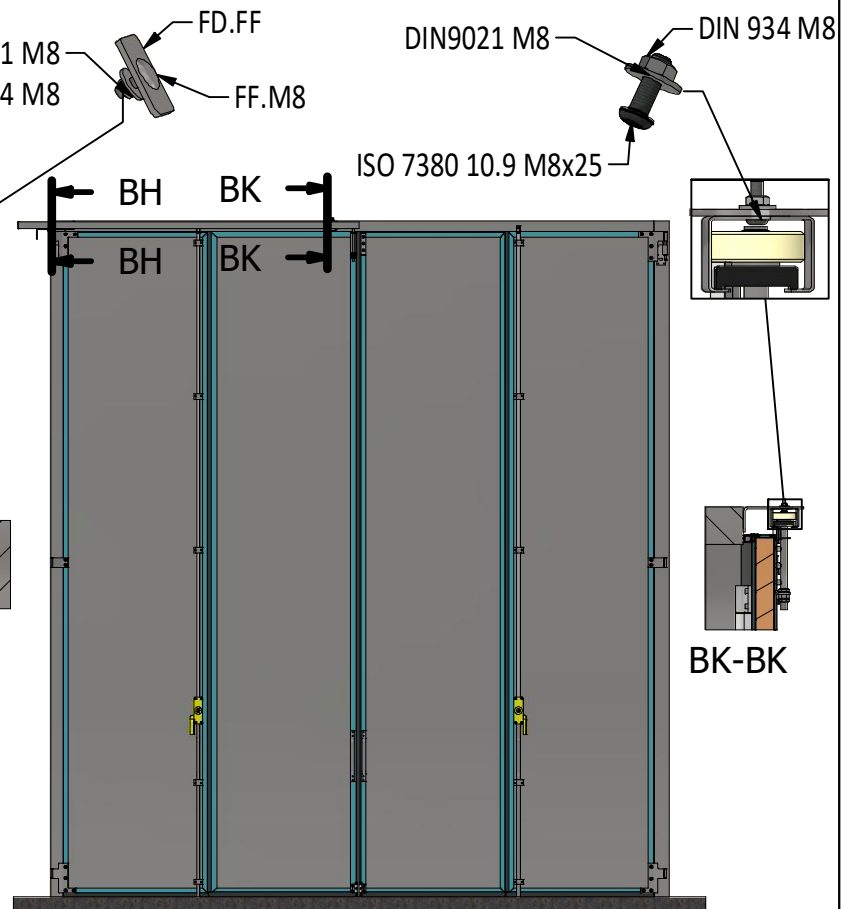


C3.2

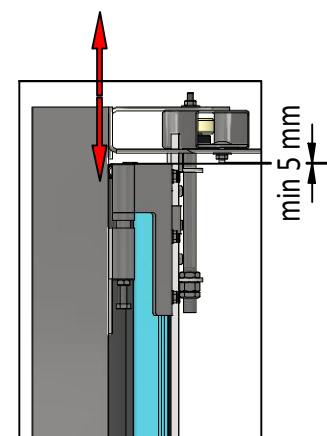
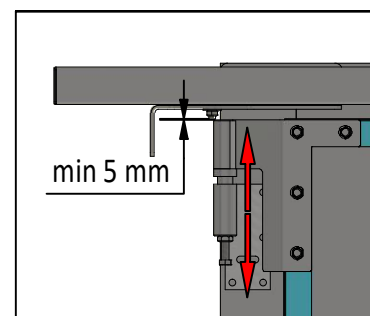
DIN9021 M8
DIN 934 M8



BH-BH

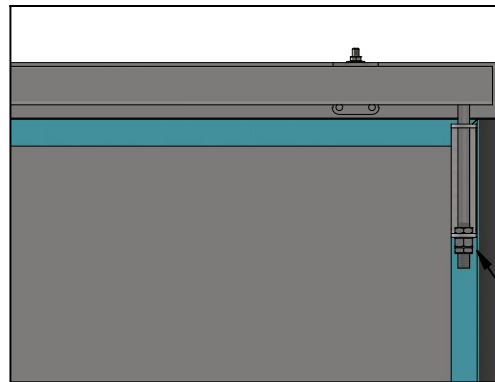
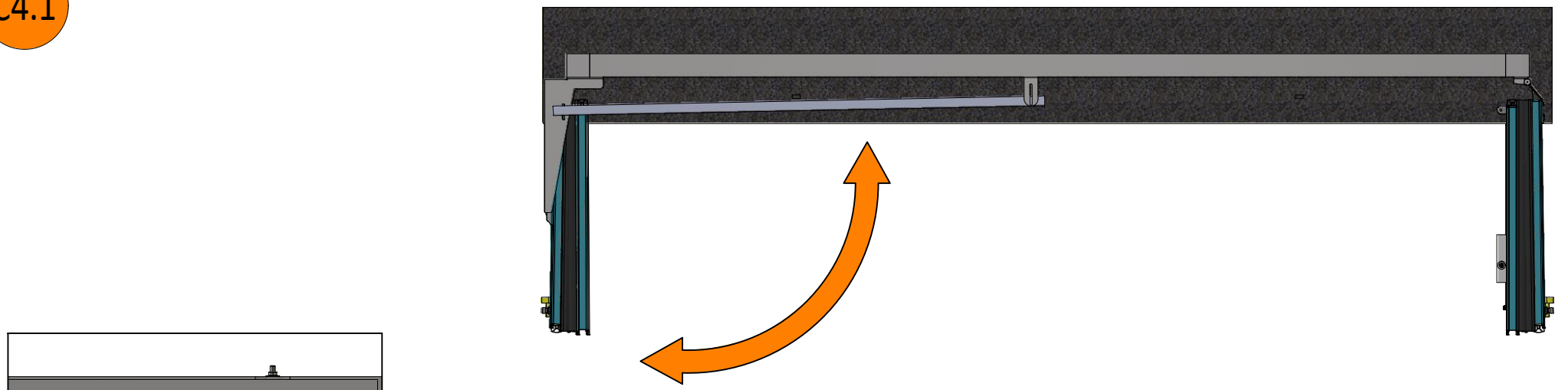



BK-BK



Date	2023-12-20	Sheet Format	A3	Mounting instruction_RD	Designer	VPA
				Folding Doors 4 panels	Rev.	05
					Sheet	5 / 7

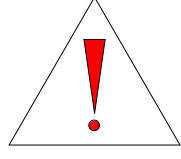
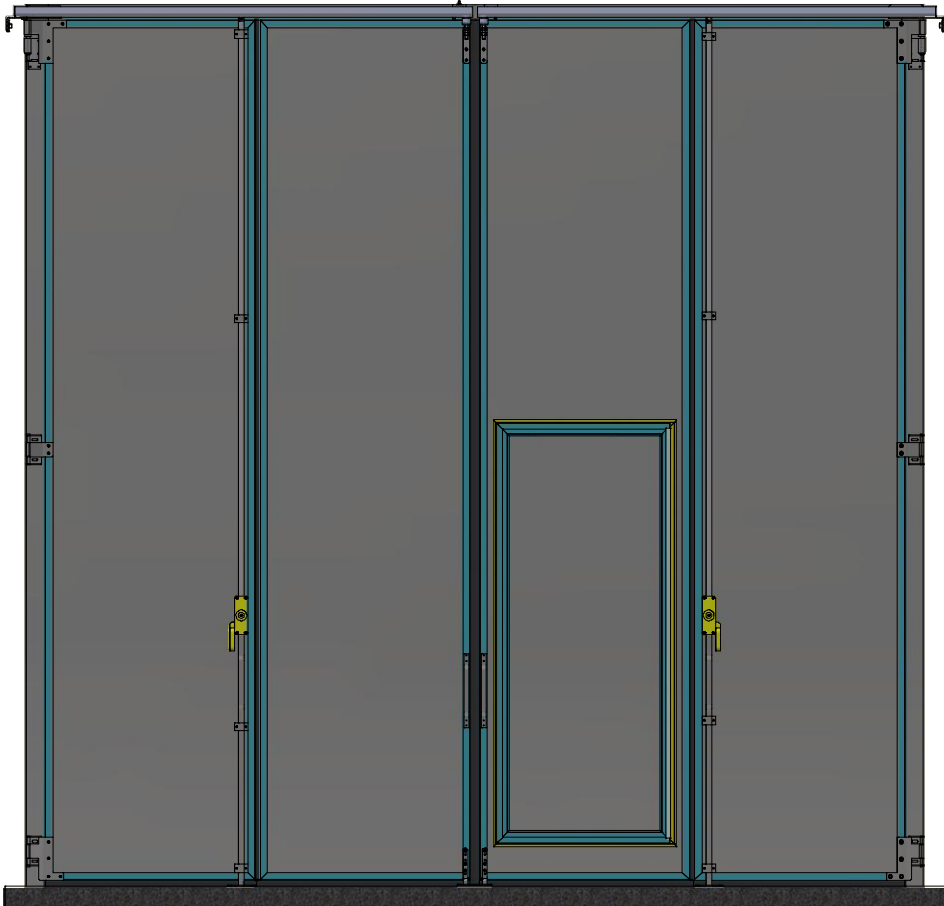
C4.1



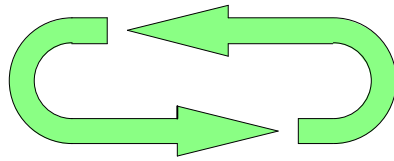
TIGHTEN NUTS 
 (top roller is only for gate guide use, max weight 10kg)

1. Open- close gates few times so rail stays in right angle.
2. Tighten rail bolts.

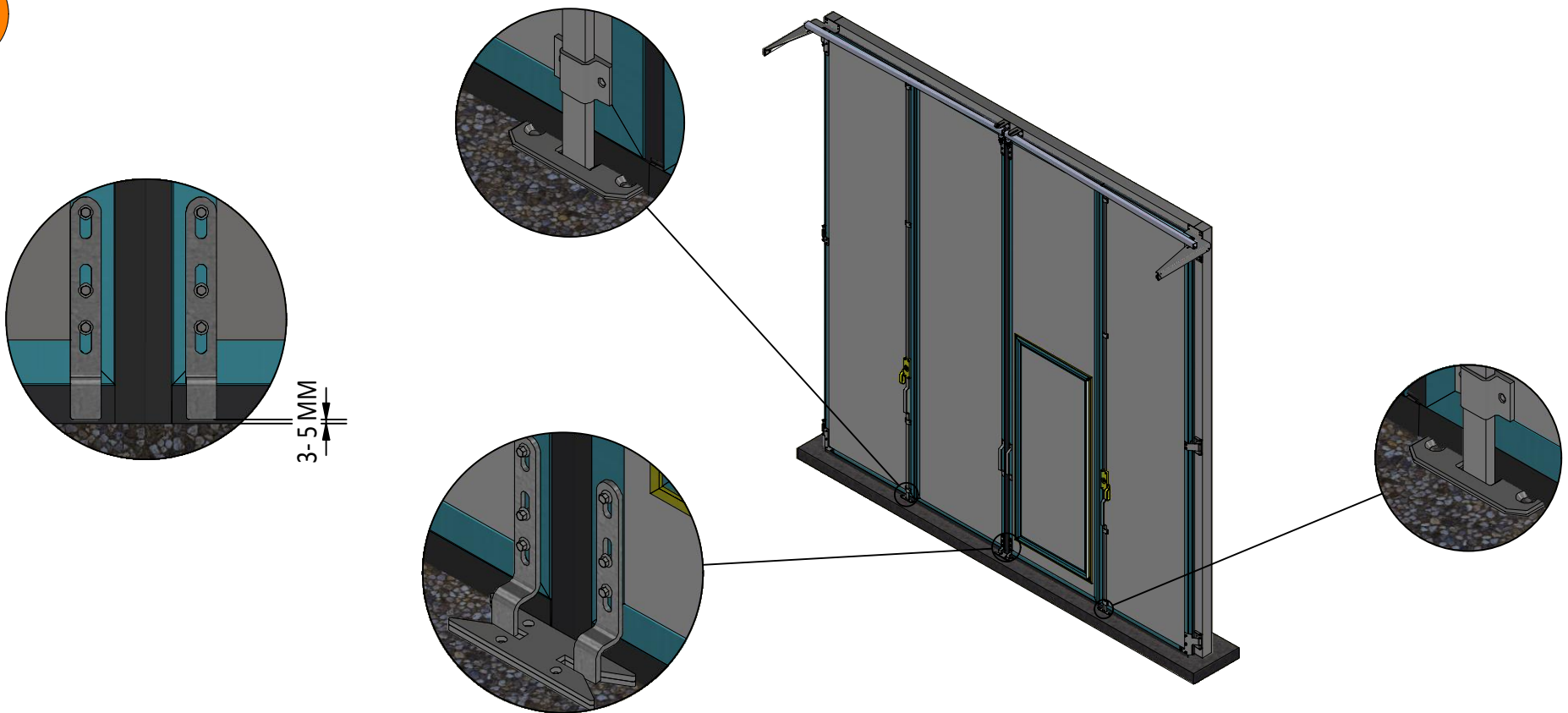
D1.1



FOR MIRROR SIDE RAIL REPEAT "C" STEPS



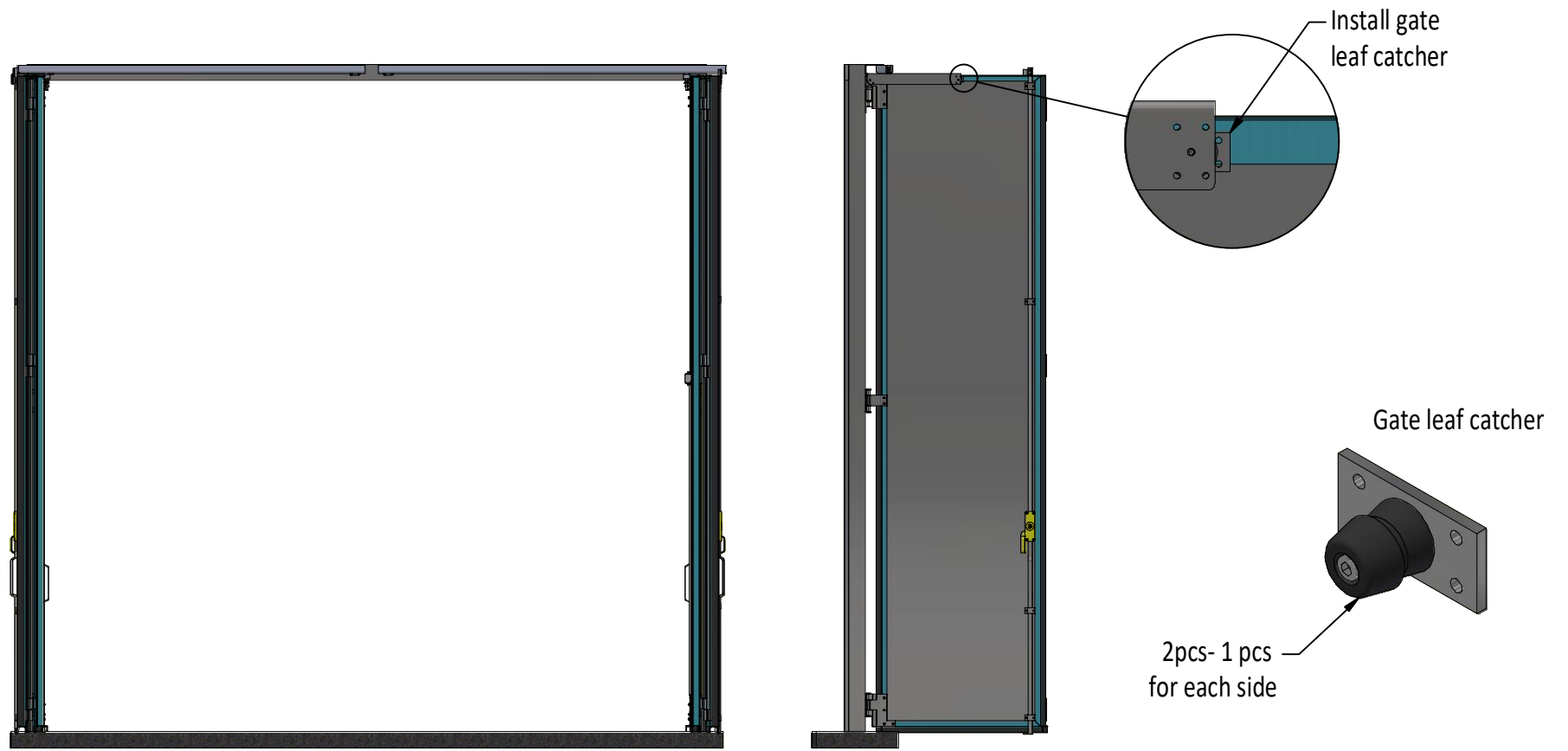
D2.1



3-5MM

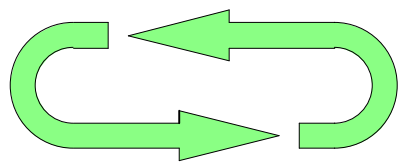
Date	2023-12-20	Sheet Format	A3	Mounting instruction_RD	Designer	VPA
				Folding Doors 4 panels	Rev.	05
					Sheet	6 / 7

E1.1



E1.2

REPEAT E1.1 STEP
WITH MIRROR SIDE



Date	2023-12-20	Sheet Format	A3	Mounting instruction_RD	Designer	VPA		
				Folding Doors 4 panels	Rev.	05	Sheet	7 / 7