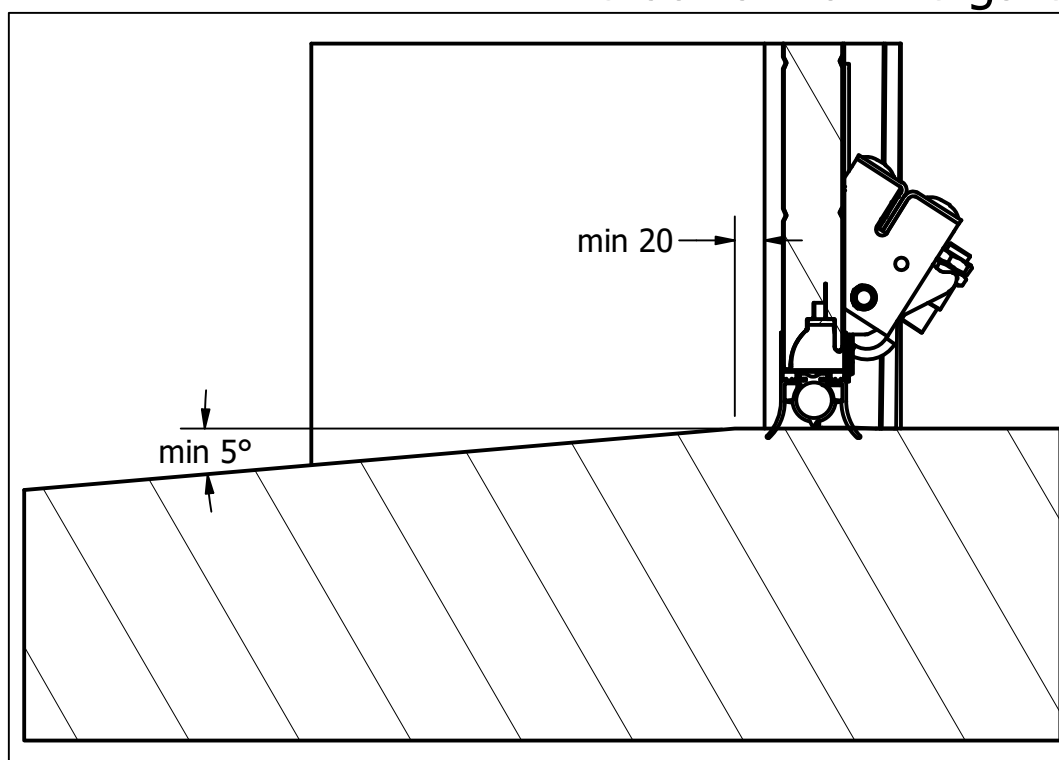


The bottom of the gate



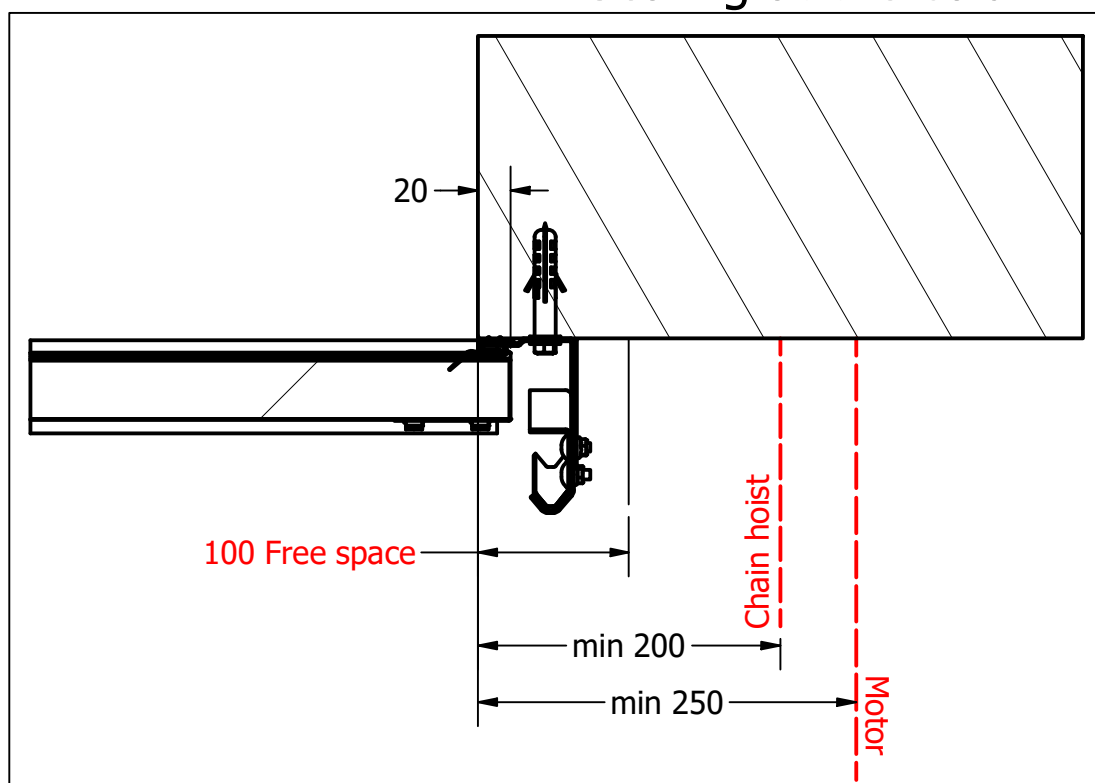
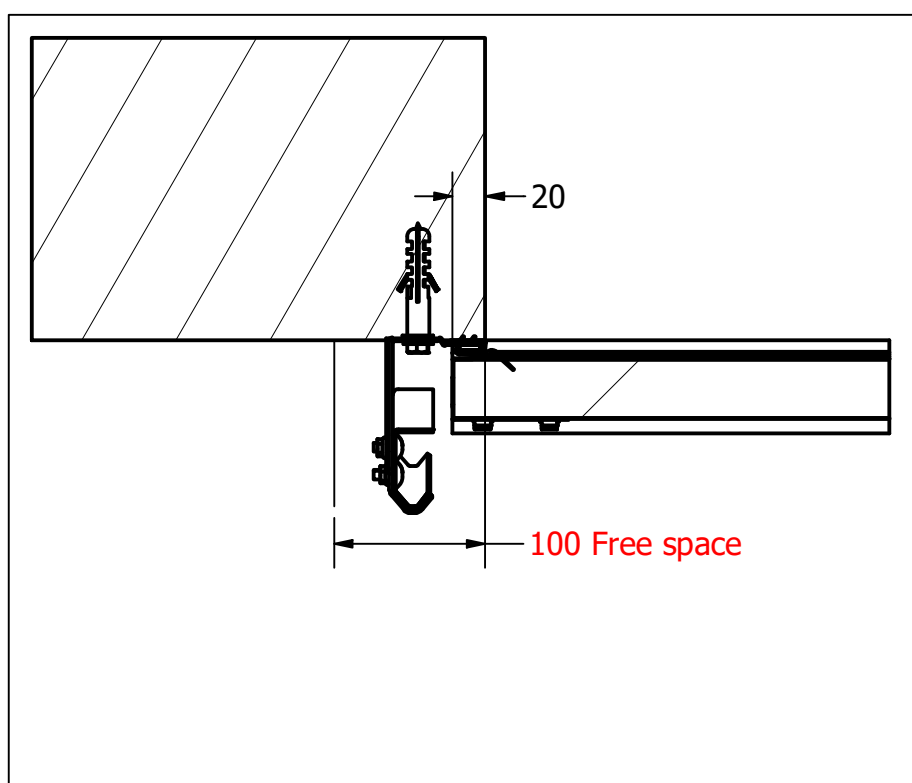
$X=350, H \leq 4002; \text{Max } 26,2 \text{ m}^2$

$X=400, H \leq 5580; \text{Max } 39 \text{ m}^2$

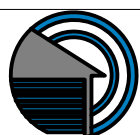
$X=500, H \leq 10330; \text{Max } 50 \text{ m}^2$

For larger sizes, contact the manufacturer

Sealing at the column



For gates without motor and $H \geq 3\text{m}$ chainhoist must be mounted !



Riga Door Systems
we open the world

Malas, Vetras, Marupe LV-2167, Riga district, Latvia; web: www.rigadoors.lv

Designed by

VPA

Sheet Format

A3

Date

2024-04-26

NL_Standart lift

Data sheet

Industrial sectional doors RDS 1000

Rev.

1

Sheet

1 / 1