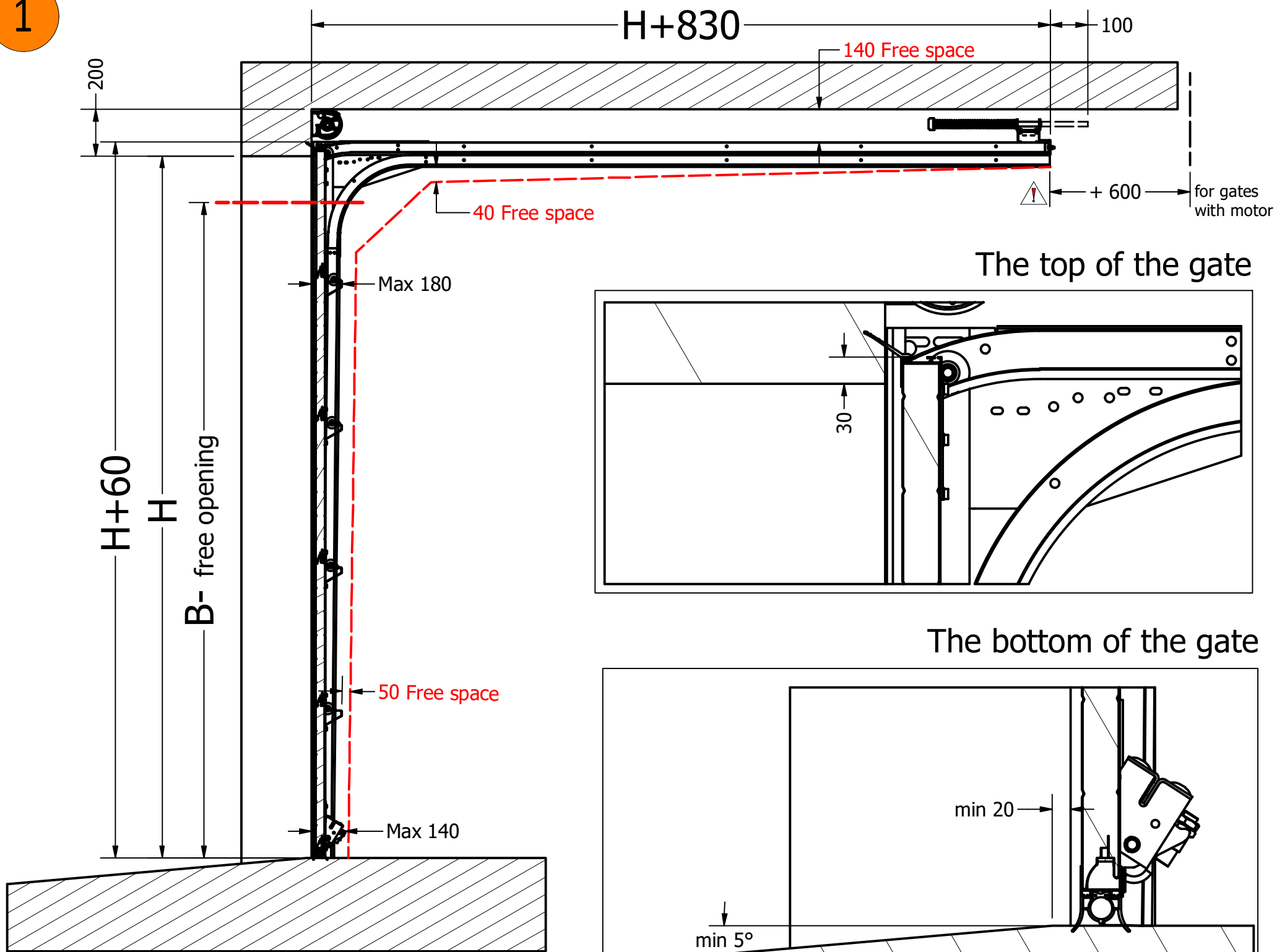
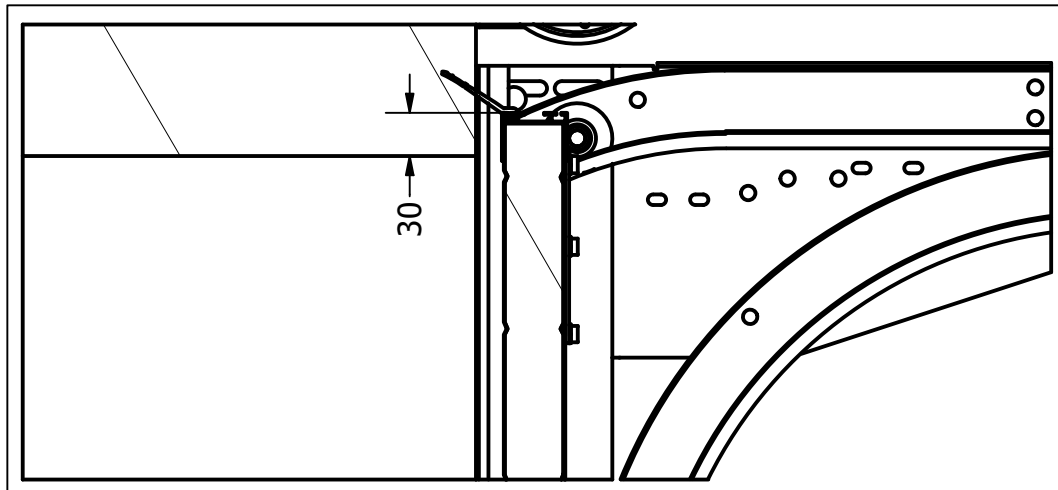


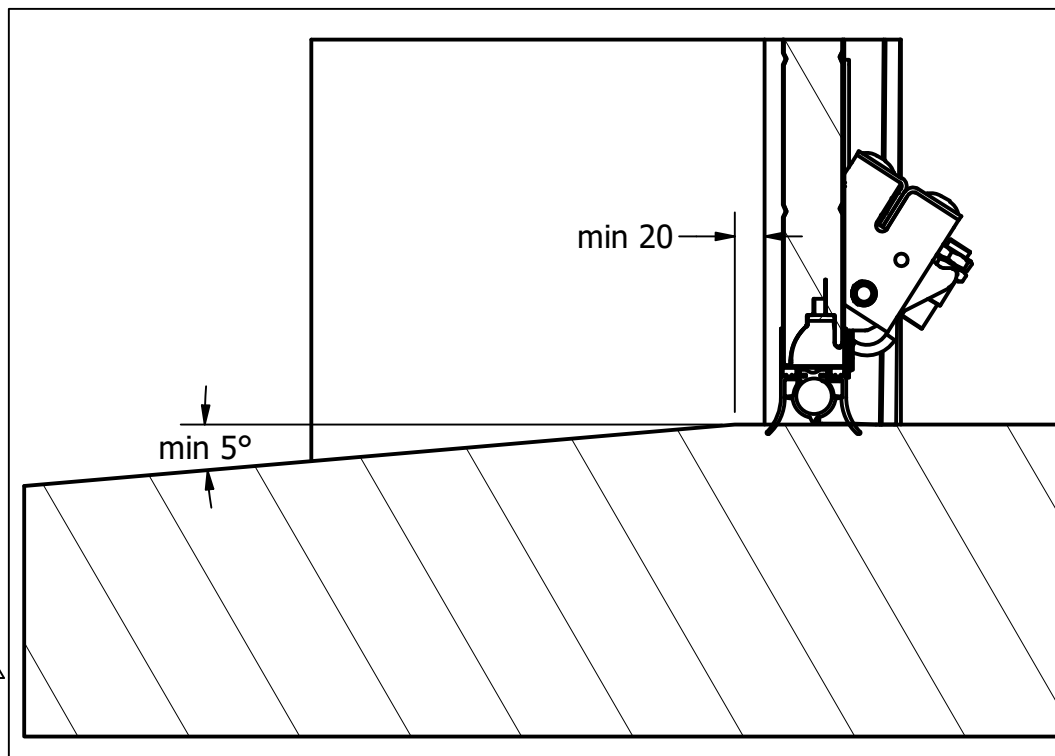
1



The top of the gate



The bottom of the gate



$H \leq 3000$ ;  $W \leq 5000$

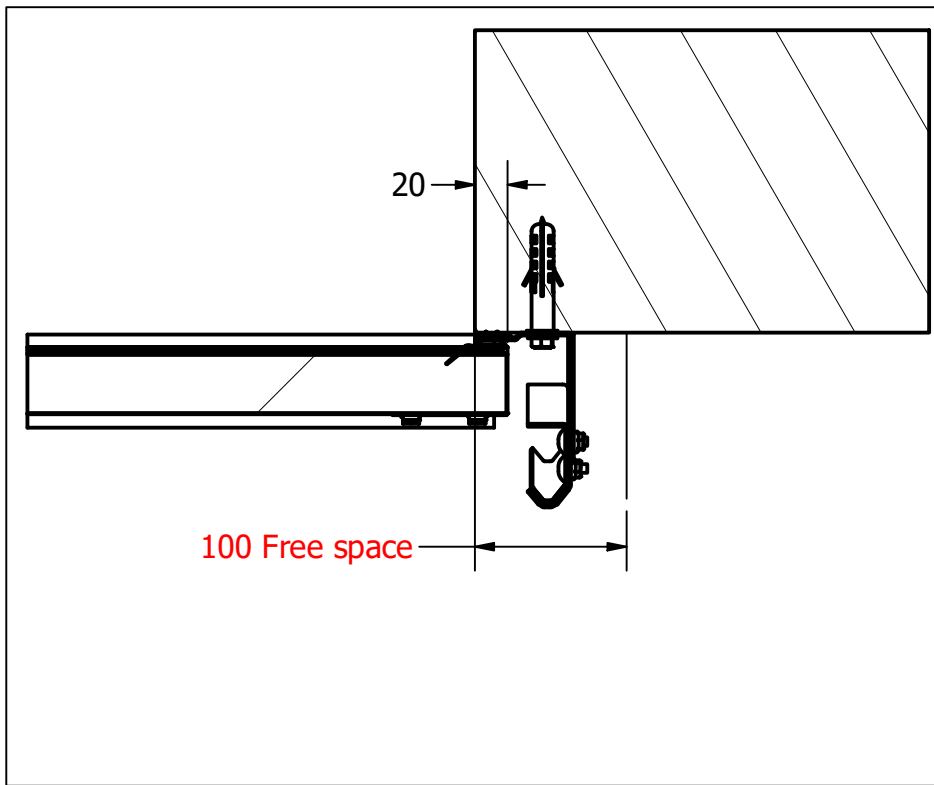
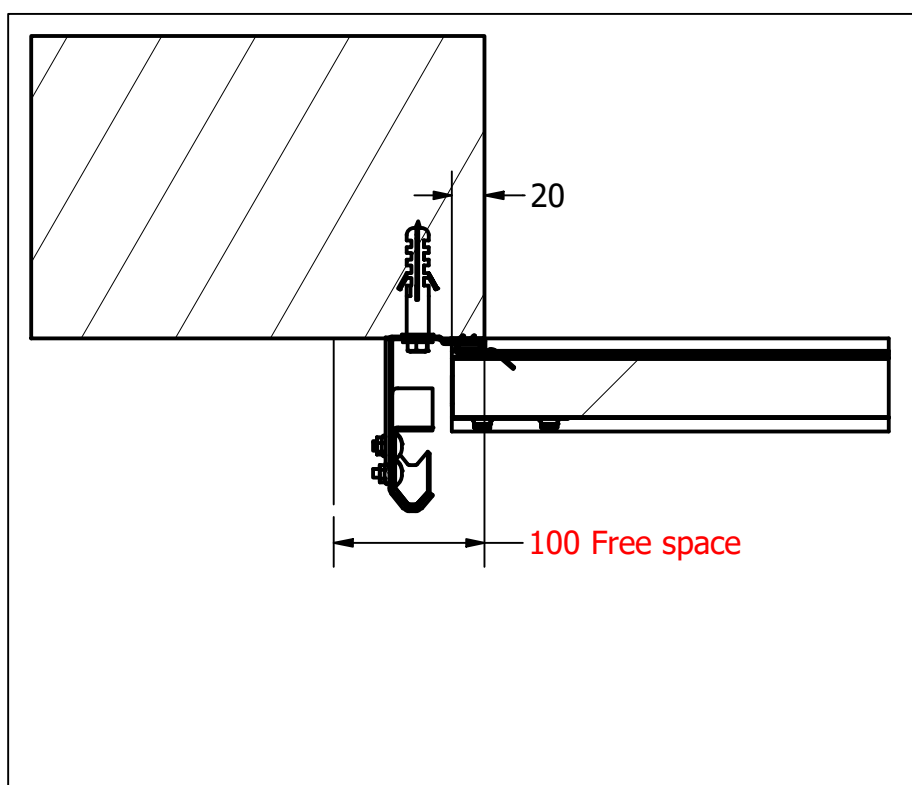
For other dimensions contact the manufacturer

$B$ - Free opening:

$B = H -$  Opening with motor

$H - 200\text{mm} -$  Opening with hand

Sealing at the column



**Riga Door Systems**  
we open the world

Malas, Vetras, Marupe LV-2167, Riga district, Latvia; web: [www.rigadoors.lv](http://www.rigadoors.lv)

Designed by	VPA	Sheet Format	A3	Date	2024-04-26	RF200.eng	Data sheet
						Industrial sectional gates RDS 1000	Rev. 1
							Sheet 1 / 1