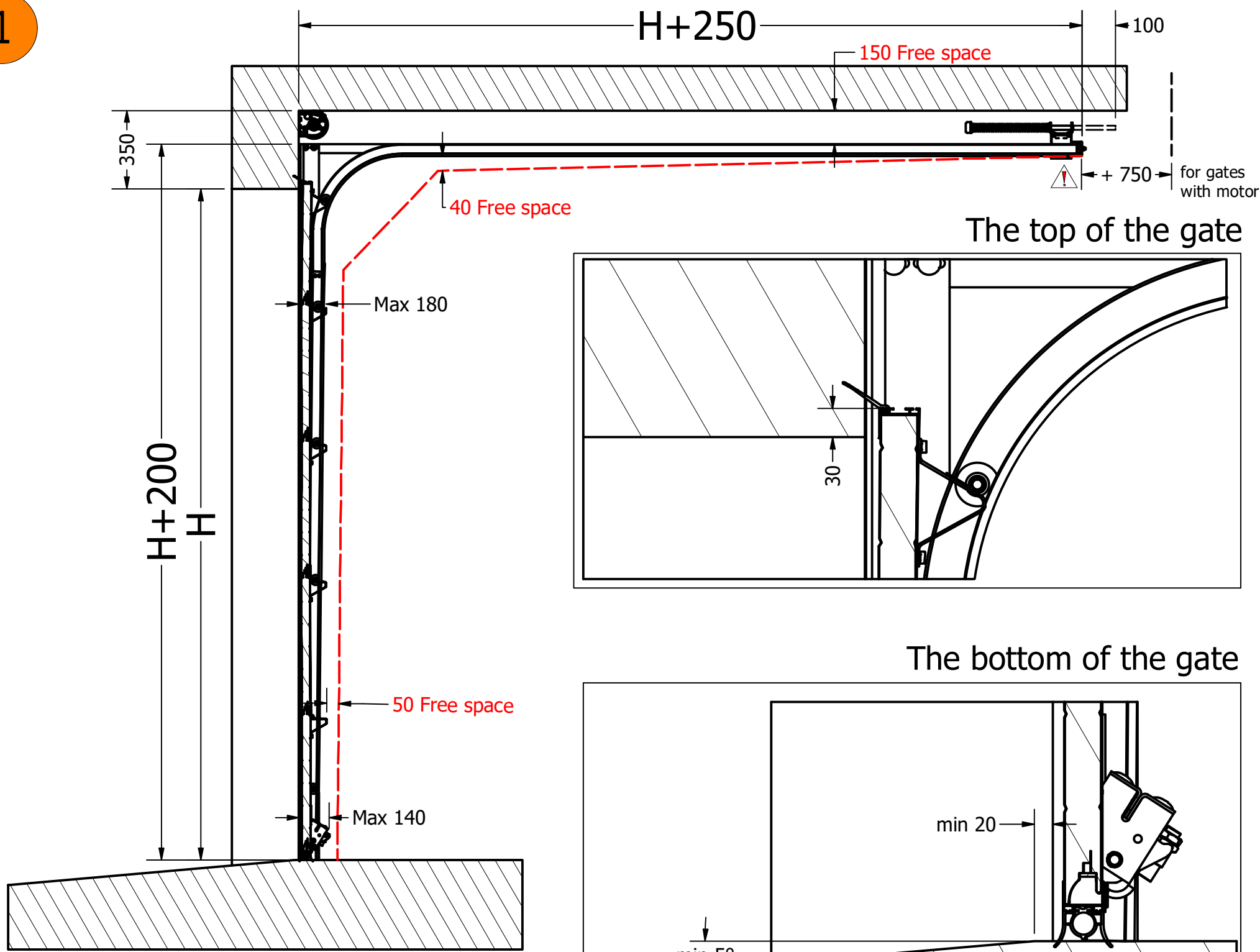
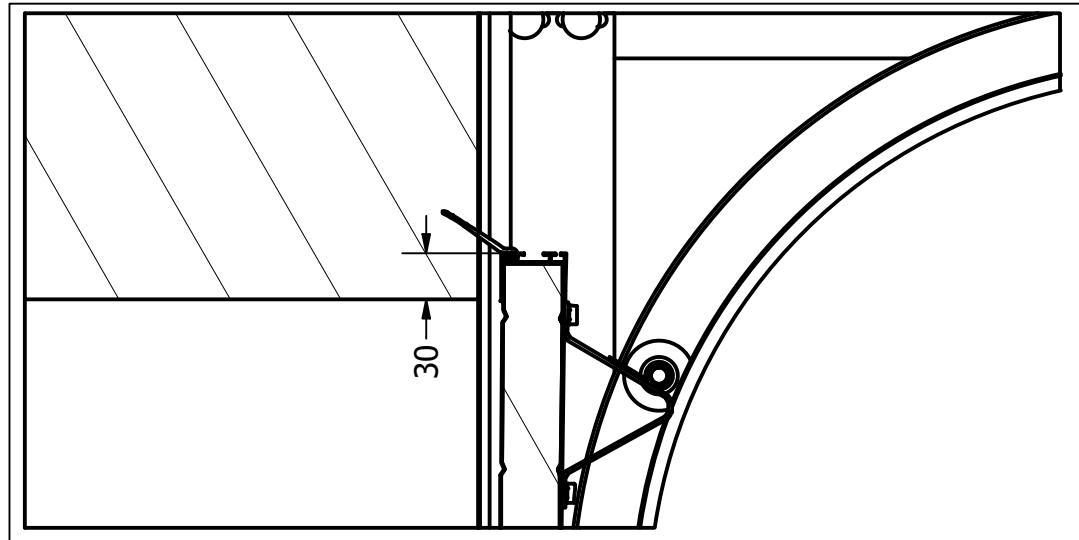


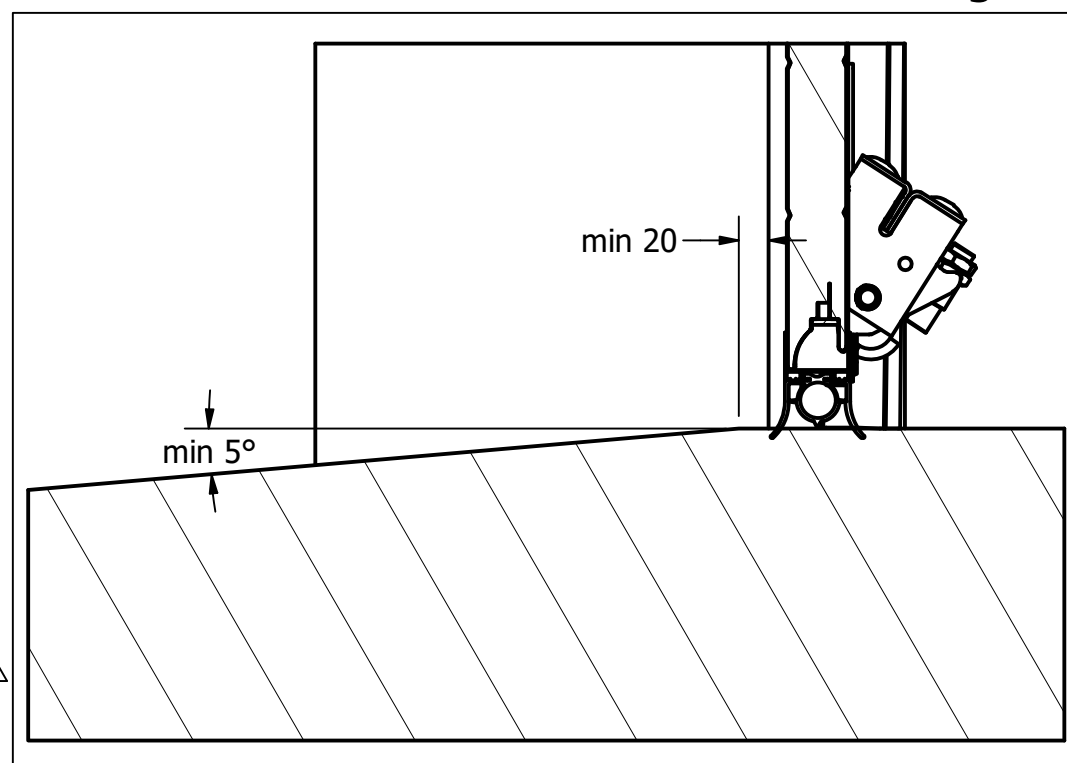
1



The top of the gate



The bottom of the gate



$H \leq 3000; W \leq 5000$
 For other dimensions contact the manufacturer

Sealing at the column

