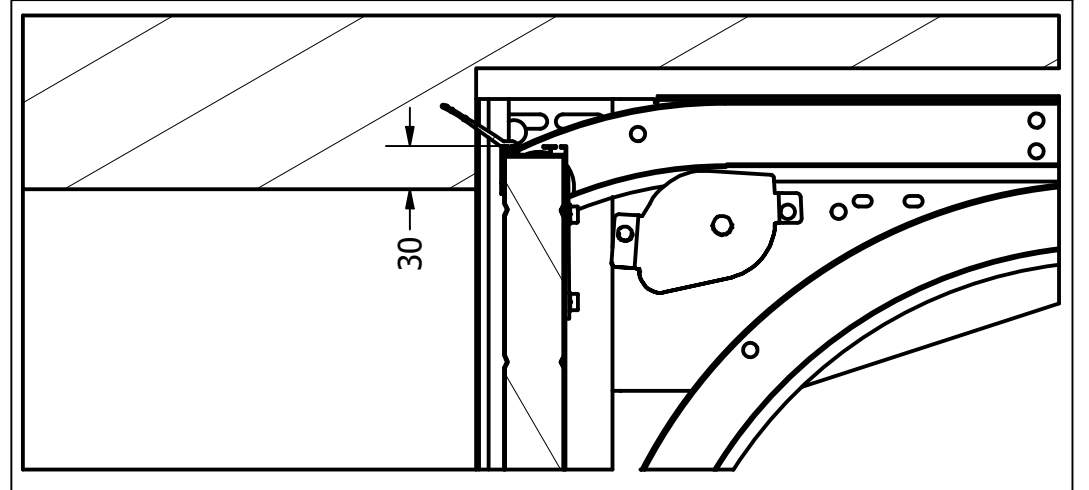
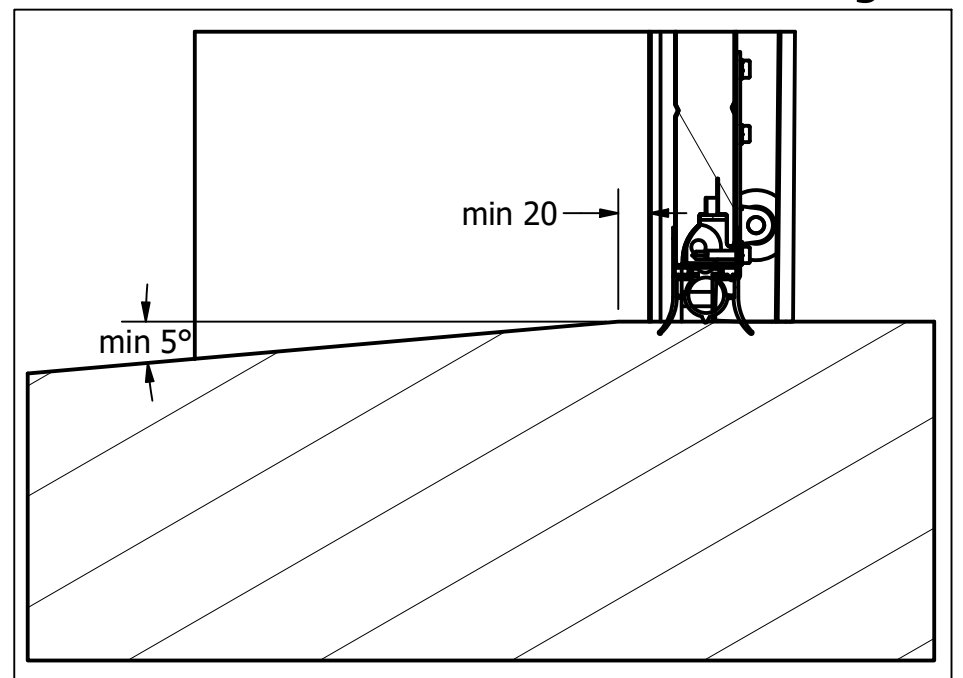


The top of the gate



The bottom of the gate



$H \leq 3000$; $W \leq 5000$

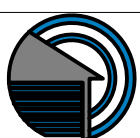
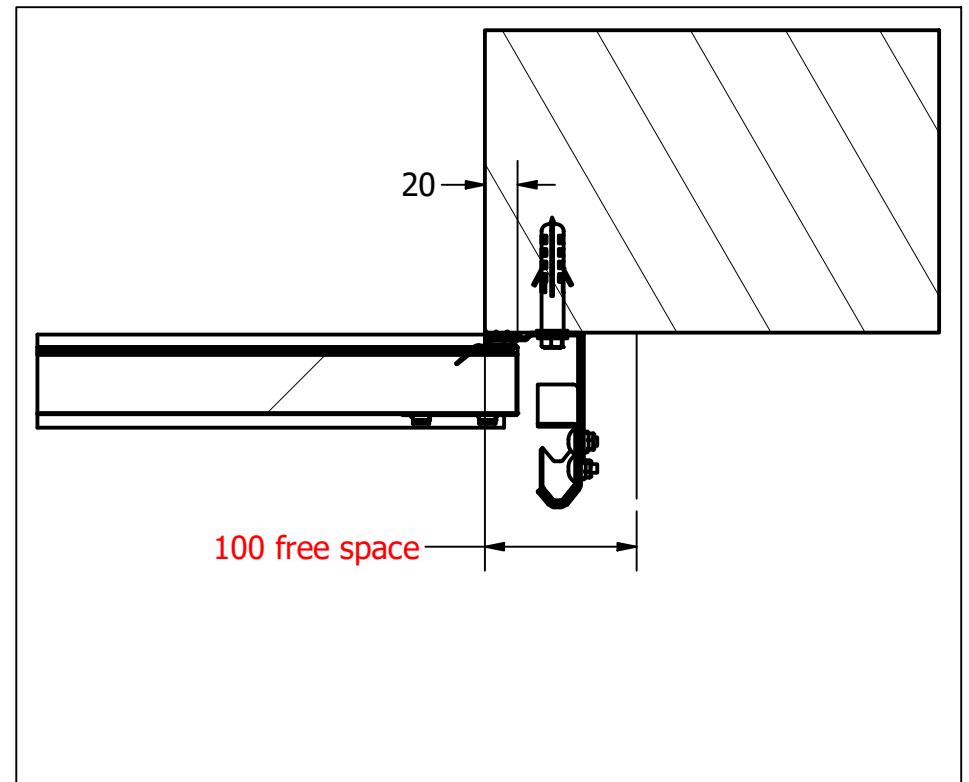
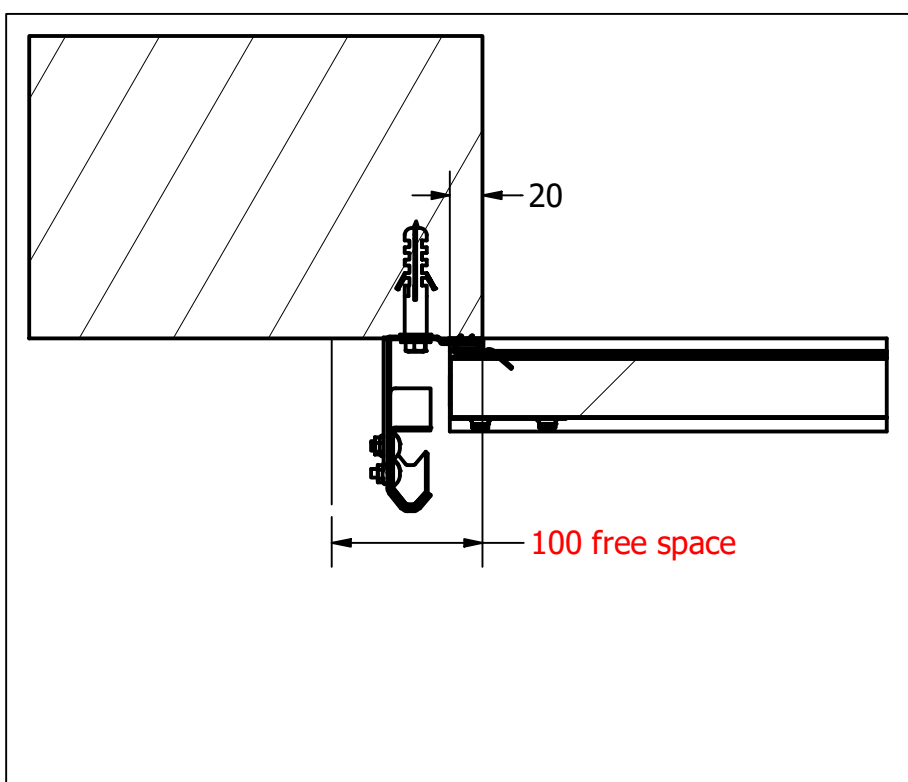
For other dimensions contact the manufacturer

B- Free opening:

$B = H -$ Opening with motor

$H - 200\text{mm} -$ Opening with hand

Sealing at the column



Riga Door Systems
we open the world

Malas, Vetras, Marupe LV-2167, Riga district, Latvia; web: www.rigadoors.lv

Designed by	VPA	Sheet Format	A3	Date	2024-04-26	RF80.eng	Data sheet
						Industrial sectional gates RDS 1000	Rev. 1
							Sheet 1 / 1